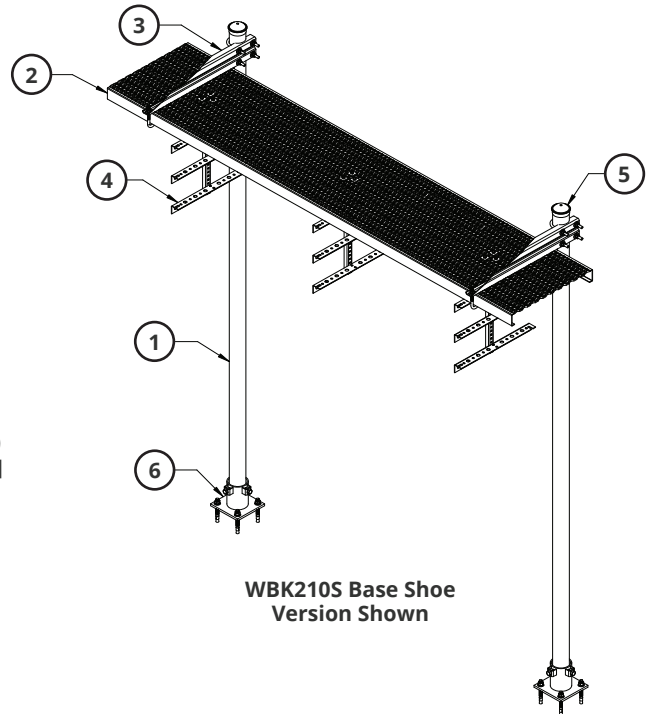
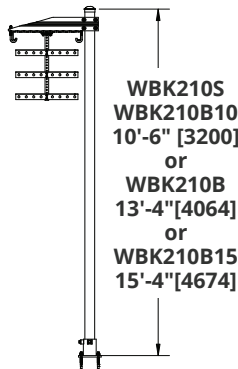
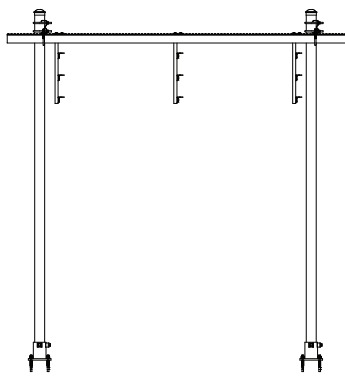
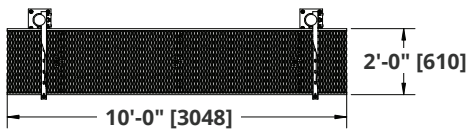


Product Reference Sheet

## 24" x 10' Waveguide Bridge Kit (Burial Pipe or Base Shoe)

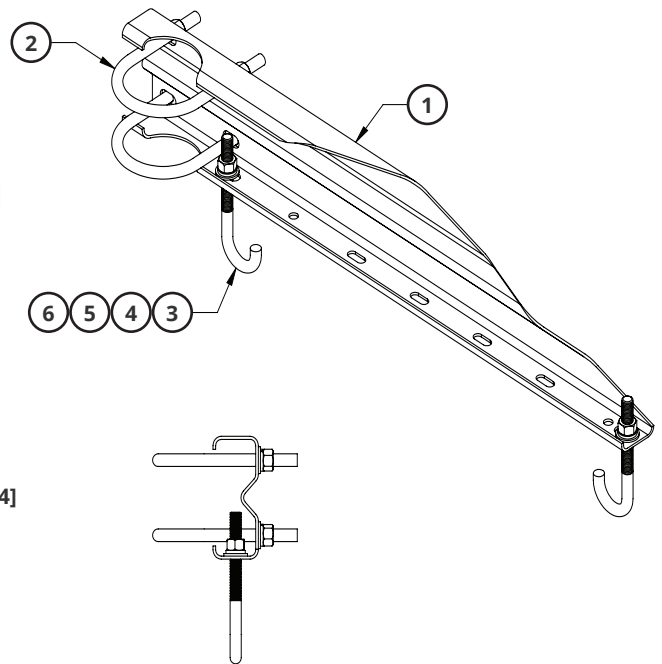
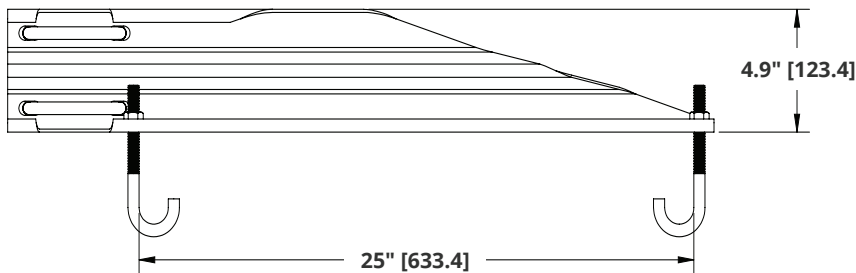
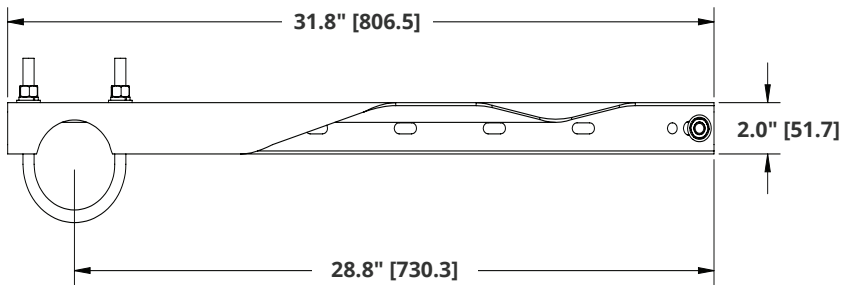


### Product Description

Item	Part Number	Description	WBK210BHK	WBK210S	WBK210B10	WBK210B	WBK210B15	Weight (Lbs.)
1	MT547126	Ø 3.5" OD x 126" Pipe	-	2	2	-	-	61.93
1	MF130	Ø 3.5" OD x 13'-4" Pipe	-	-	-	2	-	101.38
1	MF273	Ø 3.5" OD x 15'-4" Pipe	-	-	-	-	2	116.58
2	WBCY210	Safety Grating 24" x 10'	-	1	1	1	1	80.4
3	WBLB243	24" Waveguide Bridge Support Kit	2	2	2	2	2	9.90
4	WBT243	Trapeze Kit, 24"	3	3	3	3	3	12.07
5	PC034	Ø 3-1/2" OD Pipe Cap	2	2	2	2	2	0.74
6	WBBS	Slip-On Base Shoe Kit for 3-1/2" OD Pipe	-	2	-	-	-	15.26

Note: All metric dimensions are in brackets.

## 24" Waveguide Bridge Support Kit



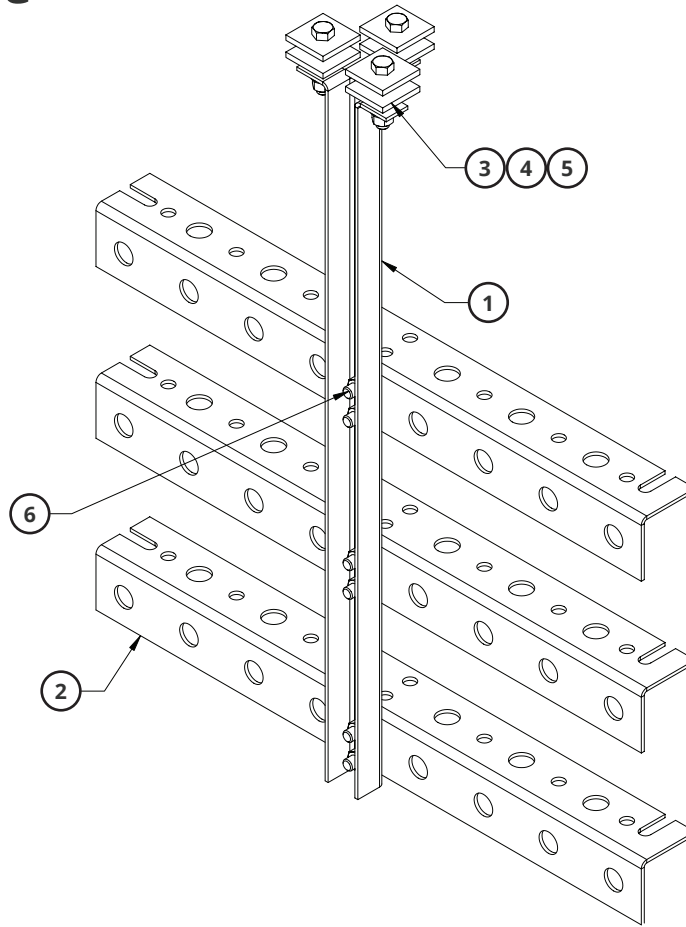
### Product Description

Item	Part Number	Description	Qty.	Weight (Lbs.)
1	WBLB123.07	12" Waveguide Bridge Support Bracket	1	4.71
2	GUB-4356	1/2" x 3-5/8" x 6" Galvanized U-Bolt Kit	2	0.83
3	WB-JB-6	1/2" J-Bolt	2	0.50
4	GWF-04	1/2" Galvanized Flat Washer	2	0.01
5	GWL-04	1/2" Galvanized Lock Washer	2	0.00
6	GN-04	1/2" Galvanized Hex Nut	2	0.01

Notes: All metric dimensions are in brackets.

Product Reference Sheet

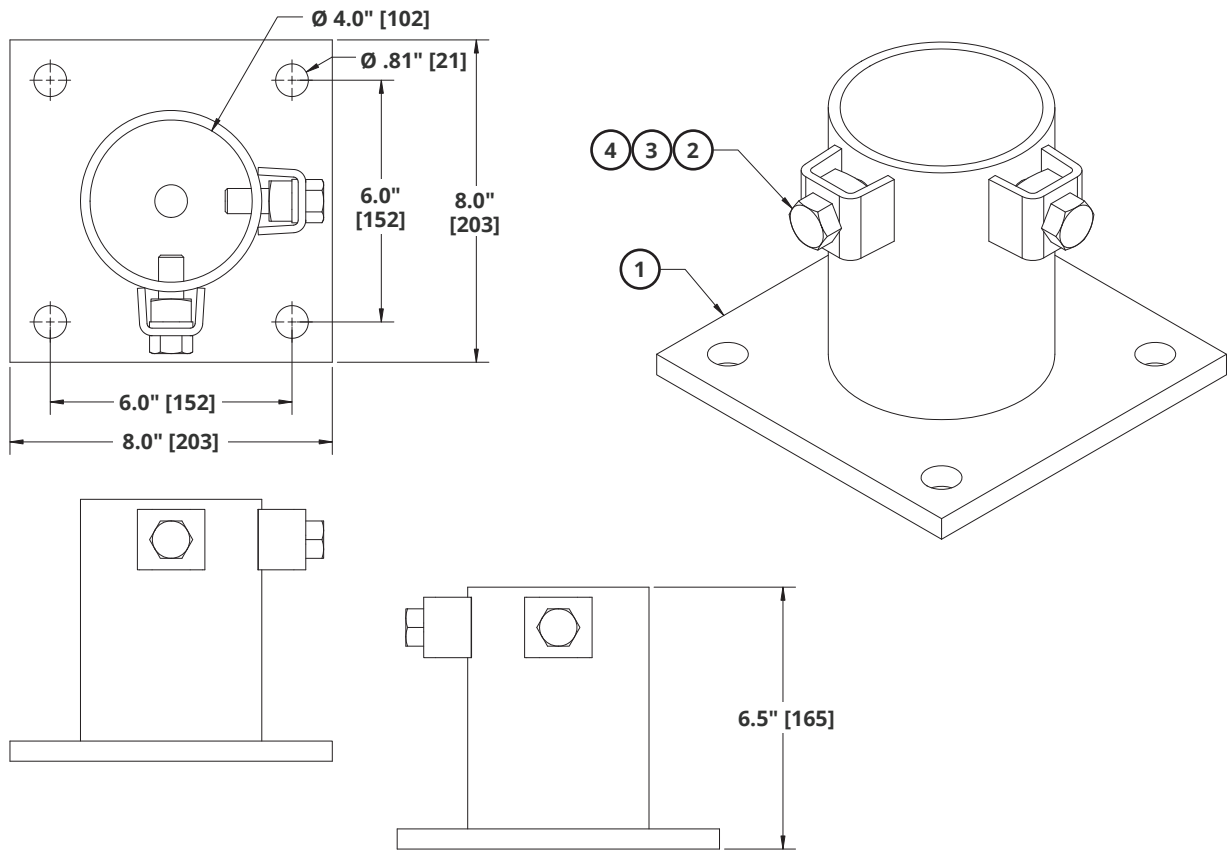
## Trapeze Kit



### Product Description

Item	Part Number	Description	Qty.	Weight (Lbs.)
1	WBT243.01	Vertical Trapeze Section	1	2.55
2	WBT243.02	Horizontal Trapeze Section	3	2.80
3	MT-387	Square Washer, 1-1/2" x 1-1/2" with 7/16" Hole	6	0.11
4	GB-03205	3/8" x 2" Galvanized Bolt Kit	3	0.08
5	GWF-03	3/8" Galvanized Flat Washer	3	0.01
6	GB-03105	3/8" x 1" Galvanized Bolt Kit	6	0.08

## Slip-On Base Shoe Kit for 3-1/2" OD Pipe



### Product Description

Item	Part Number	Description	Qty.	Weight (Lbs.)
1	WBBS.01	Welded Base Shoe	1	14.46
2	GB05205.01	5/8"-11 UNC x 2" Galvanized Hex Bolt	2	0.27
3	GWL-06	5/8" Galvanized Lock Washer	2	0.03
4	SQN-06	5/8"-11 UNC Galvanized Square Nut	2	0.12

Notes: 1. All metric dimensions are in brackets.

2. Stamp part identification number.

3. Welding workmanship per AWS D1.1, Table 6.1.