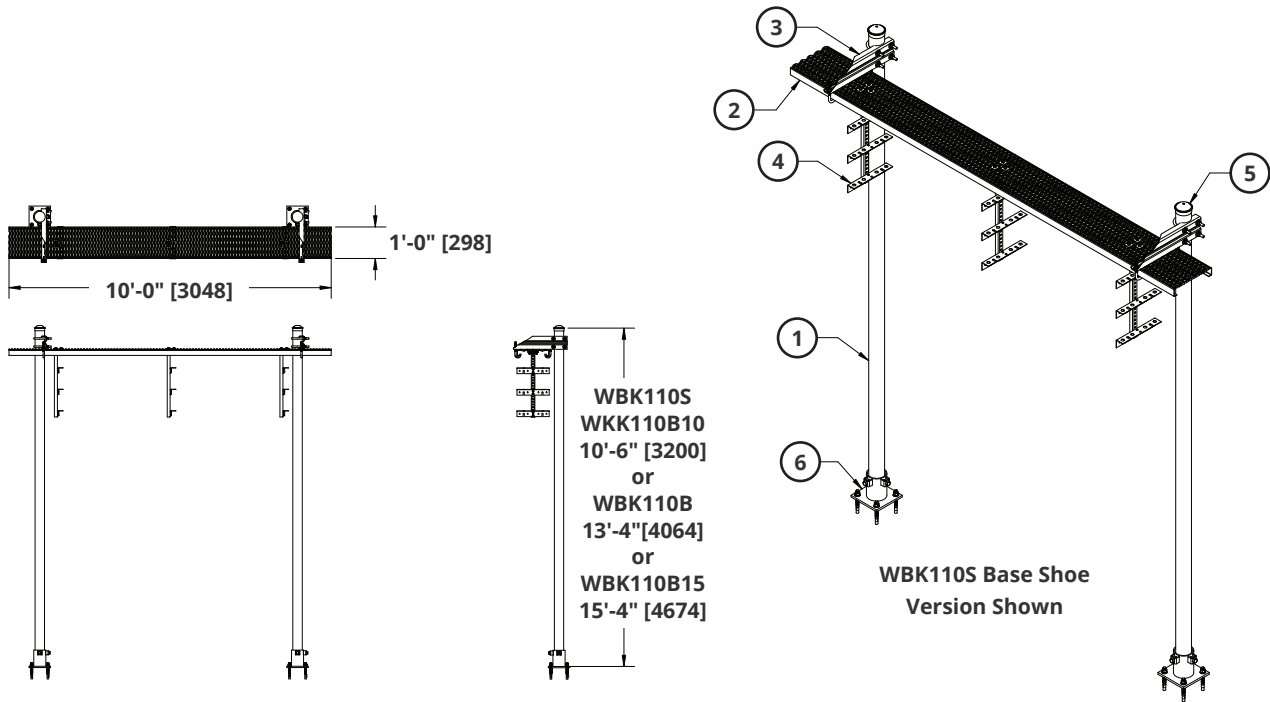


Product Reference Sheet

12" x 10' Waveguide Bridge Kit (Burial Pipe or Base Shoe)

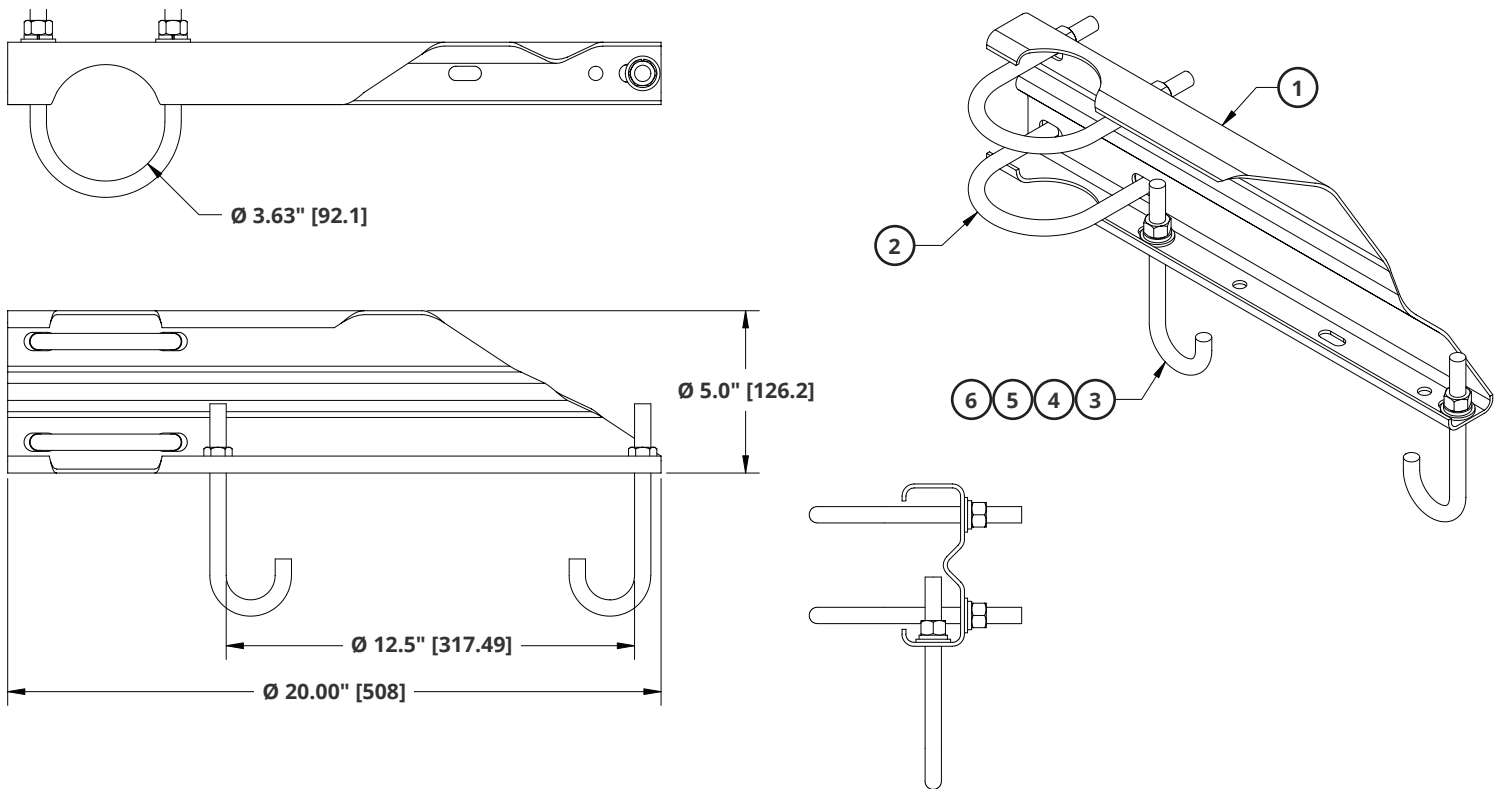


Product Description

Item	Part Number	Description	WBK110BHK	WBK110S	WBK110B10	WBK110B	WBK110B15	Weight (Lbs.)
1	MT547126	Ø 3.5" OD x 126" Pipe	-	2	2	-	-	61.93
1	MF130	Ø 3.5" OD x 13'-4" Pipe	-	-	-	2	-	101.38
1	MF273	Ø 3.5" OD x 15'-4" Pipe	-	-	-	-	2	116.58
2	WBCY110	Safety Grating 12" x 10'	-	1	1	1	1	70
3	WBLB123	12" Waveguide Bridge Kit	2	2	2	2	2	7.66
4	WBT123	Trapeze Kit, 12"	3	3	3	3	3	8.40
5	PC034	Ø 3-1/2" OD Pipe Cap	2	2	2	2	2	0.74
6	WBBS	Slip-On Base Shoe Kit for 3-1/2" OD Pipe	-	2	-	-	-	15.26

Note: All metric dimensions are in brackets.

12" Waveguide Bridge Support Bracket Kit



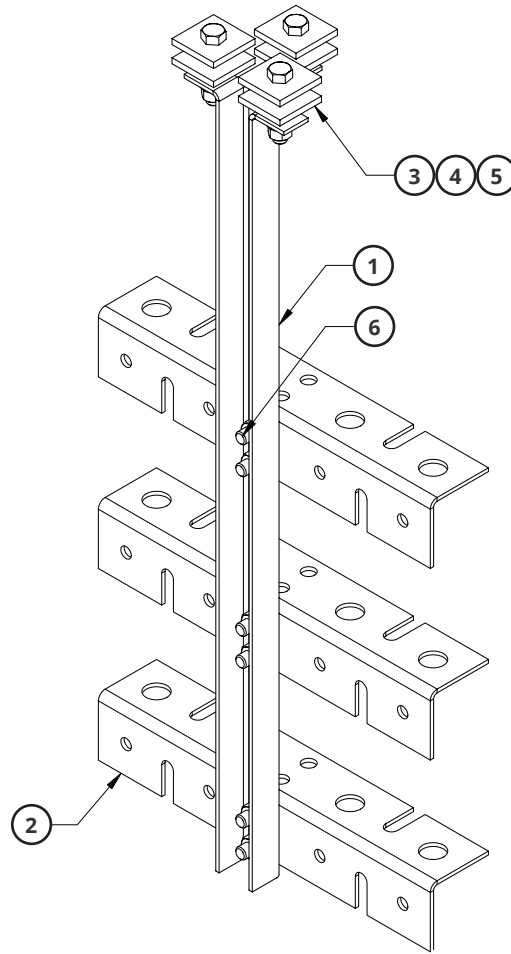
Product Description

Item	Part Number	Description	Qty.	Weight (Lbs.)
1	WBLB123.07	12" Waveguide Bridge Support Bracket	1	4.71
2	GUB-4356	1/2" x 3-5/8" x 6" Galvanized U-Bolt Kit	2	0.83
3	WB-JB-6	1/2" J-Bolt	2	0.50
4	GWF-04	1/2" Galvanized Flat Washer	2	0.01
5	GWL-04	1/2" Galvanized Lock Washer	2	0.00
6	GN-04	1/2" Galvanized Hex Nut	2	0.01

Note: All metric dimensions are in brackets.

Product Reference Sheet

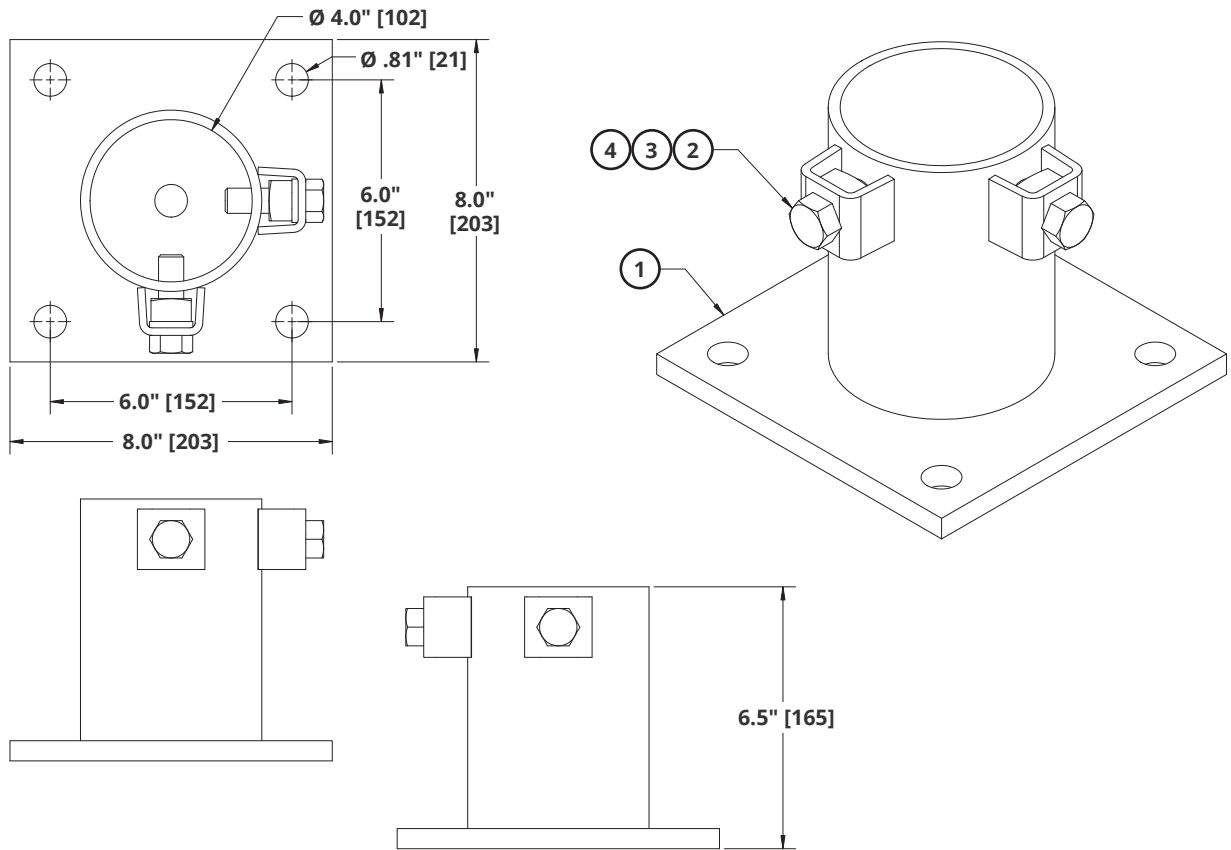
Trapeze Kit



Product Description

Item	Part Number	Description	Qty.	Weight (Lbs.)
1	WBT243.01	Vertical Trapeze Section	1	2.55
2	WBT123.02	12" Horizontal Trapeze Section	3	1.46
3	MT-387	Square Washer, 1-1/2" x 1-1/2" with 7/16" Hole	6	0.11
4	GB-03205	3/8" x 2" Galvanized Bolt Kit	3	0.13
5	GWF-03	3/8" Galvanized Flat Washer	3	0.02
6	GB-03105	3/8" x 1" Galvanized Bolt Kit	6	0.13

Slip-On Base Shoe Kit for 3-1/2" OD Pipe



Product Description

Item	Part Number	Description	Qty.	Weight (Lbs.)
1	WBBS.01	Welded Base Shoe	1	14.46
2	GB05205.01	5/8-11 UNC x 2" Galvanized Hex Bolt	2	0.27
3	GWL-06	5/8" Galvanized Lock Washer	2	0.03
4	SQN-06	5/8-11 UNC Galvanized Square Nut	2	0.12

Notes: 1. All metric dimensions are in brackets.

2. Stamp part identification number.

3. Welding workmanship per AWS D1.1, Table 6.1.