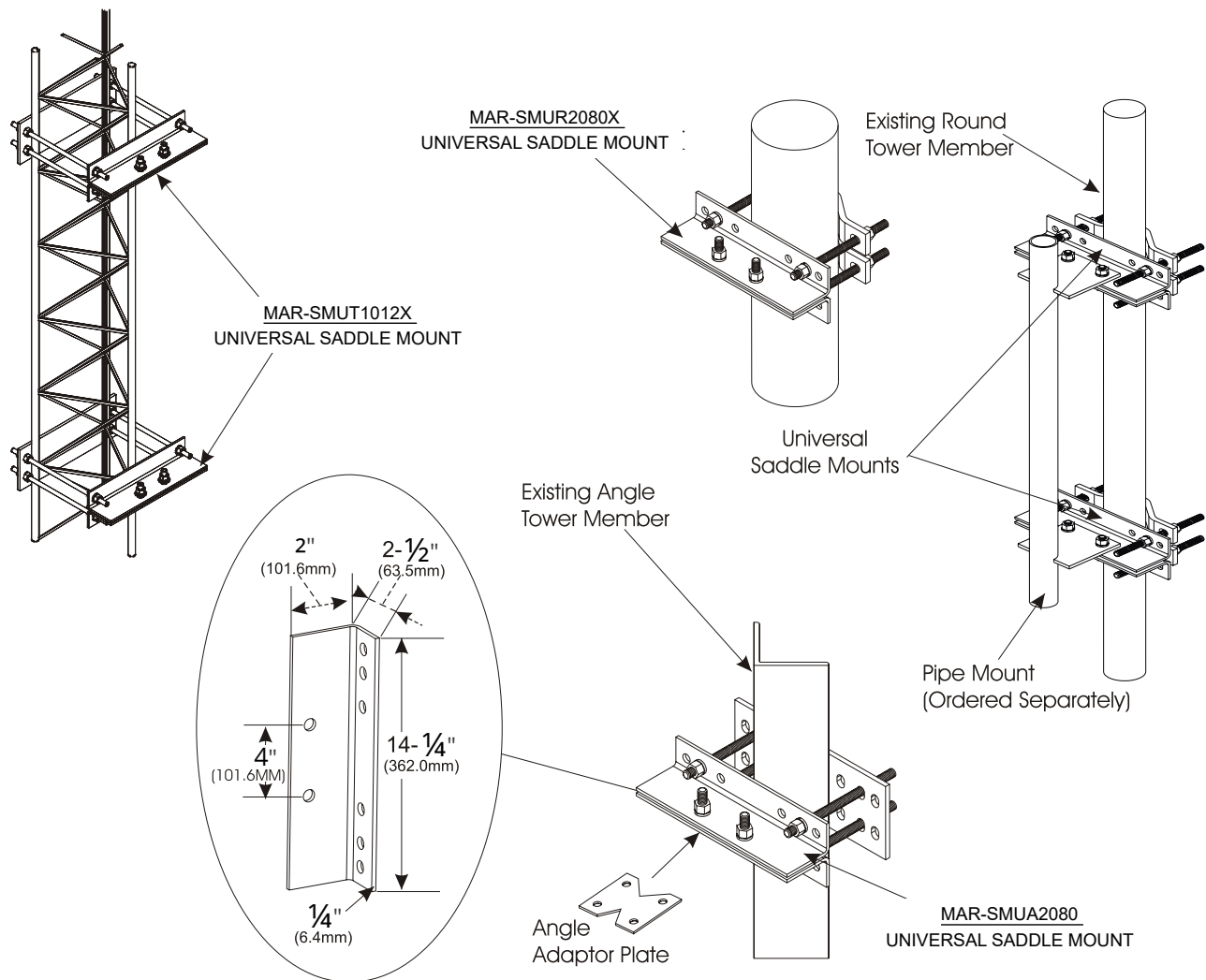


Universal Saddle Mounts For Antenna Mounting Applications

Product Description

The Universal Saddle Mounts have a unique design that allows one easy-to-install kit to be used for attaching Pipe Mounts to 2" (50.8mm) - 8" (203.2mm) round or angle tower members. Included with each kit is $\frac{5}{8}$ " (15.9mm) hardware for assembly and Pipe Mount attachment. The special Angle Adaptor Plate included is "sandwiched" between the two front bracket sections during assembly, to prevent any twist or movement on 60° or 90° angle tower members. All components of the Universal Saddle Mounts are hot-dip galvanized for maximum long-term reliability and protection in extreme environmental conditions.

Typical Applications



Marathon products are available from the following distributors:

Wesco
buy.wesco.com
866.746.3519

Anixter
Anixter.com
866.746.3519

230465D008
D230830-VF

Specifications

Universal Saddles

| Part Number | Description | Weight | | Kit Qty. |
|---------------|---|--------|------|----------|
| | | lbs. | Kg | |
| MAR-SMU2080X | Universal Saddle Mount 2" (50.8mm) to 8" (203.2mm) Round and Angle Legs | 50.0 | 22.7 | Kit of 2 |
| MAR-SMUR2080X | Universal Saddle Mount 2" (50.8mm) to 8" (203.2mm) Round Legs | 46.0 | 20.9 | Kit of 2 |
| MAR-SMUA2080X | Universal Saddle Mount 2" (50.8mm) to 8" (203.2mm) Angle Legs | 54.0 | 24.5 | Kit of 2 |
| MAR-SMUT1012X | Universal Saddle Mount, 12" (304.8mm) triangular legs and 10" to 12" (254.0mm to 304.8mm) 60° Angle Members | 80.0 | 36.3 | Kit of 2 |

Pipe Adapter Kit for Universal Saddle Mounts

| Part Number | Description | Weight | | Kit Qty. |
|-------------|---|--------|-----|----------|
| | | lbs. | Kg | |
| MAR-SMUADPX | Universal Saddle Mount Adapter Kit. Order U-Bolts separately. | 18.0 | 8.2 | Kit of 2 |

*Additional part numbers are available upon request.

Finish

All material and hardware is hot-dip galvanized.

Marathon products are available from the following distributors:

Wesco
buy.wesco.com
866.746.3519

Anixter
Anixter.com
866.746.3519

230465D008
D230830-VF