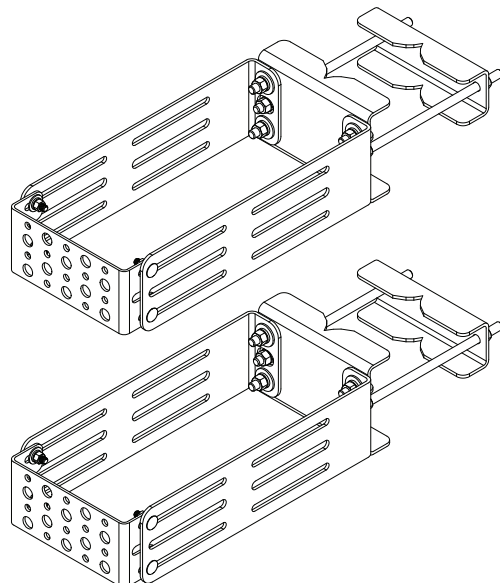
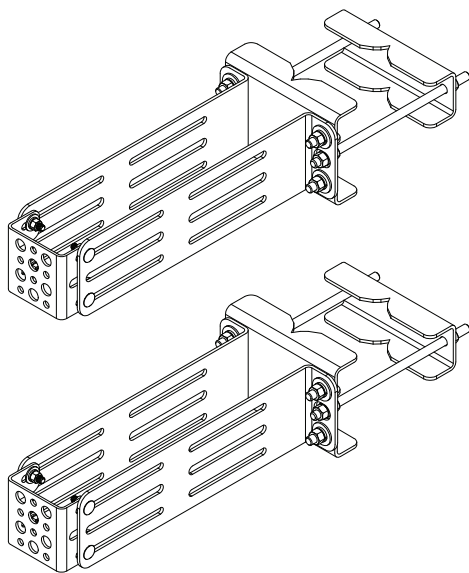
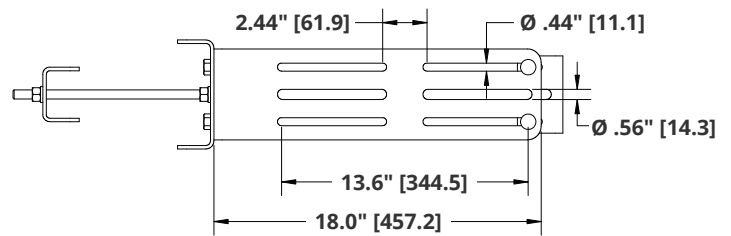
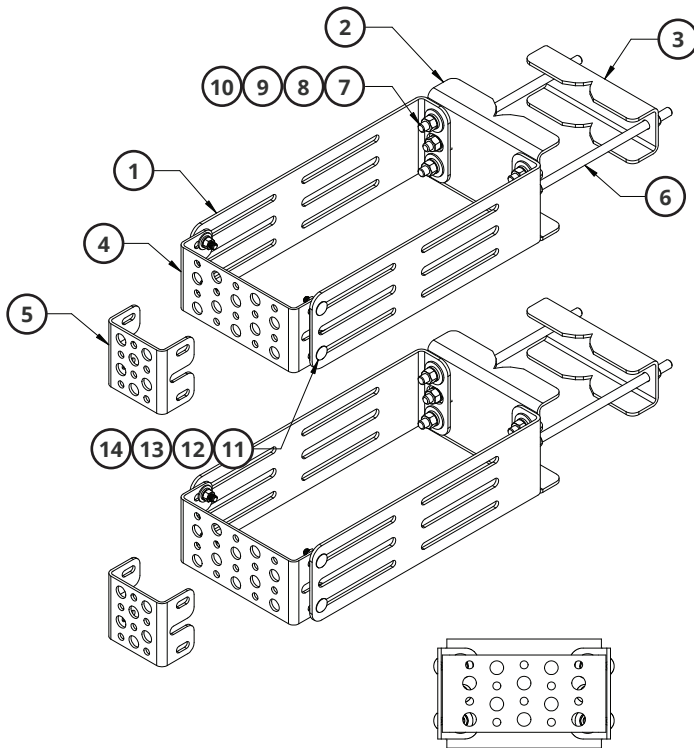


Universal RRU Mount Kit

MAR-RRUMBLX





Enduring Quality, Exceptional Value

www.marathonbroadband.com

Product Description

Marathon's mounting bracket is a flexible and robust galvanized steel (silver) solution for attaching equipment in outdoor deployments. The flexible design allows for the installer to attach the bracket to poles of various diameter (see drawing) and choose from two different widths depending upon the amount and type of equipment. The mounting kit comes with all the components listed below.

Product Description

Item	Part Number	Description	Qty.	Weight (Lbs.)
1	RRUMBL.01	RRU Mounting Angle	4	4.46
2	RRUMBL.02	Front Mounting Bracket, Welded	2	4.67
3	RRUMBL.03	Backing Bracket	2	2.83
4	RRUMBL.04	Wide Support End Mount	2	2.10
5	RRUMBL.05	Narrow Support End Mount	2	1.33
6	GD041200	1/2-13 UNC x 12" Galvanized Threaded Rod (A307)	4	0.67
7	GB04145.01	1/2-13 UNC x 1-1/2" Galvanized Hex Bolt (Grade 5)	8	0.13
8	GWF04	1/2" Galvanized USS Flat Washer	8	0.04
9	GWL04	1/2" Galvanized Lock Washer	20	0.01
10	GN04	1/2-13 UNC Galvanized Hex Nut (Grade 5)	20	0.04
11	MTC8196	3/8-16 UNC x 1-1/4" Galvanized Carriage Bolt	8	0.055
12	GWF03	3/8" Galvanized USS Flat Washer	8	0.01
13	GWL03	3/8" Galvanized Lock Washer	8	0.01
14	GN03	3/8-16 UNC Galvanized Hex Nut (Grade 5)	8	0.02

Notes: 1. All metric dimensions are in brackets.

2. Stamp part identification number.

3. Welding workmanship per AWS D1.1, Table 6.1.