

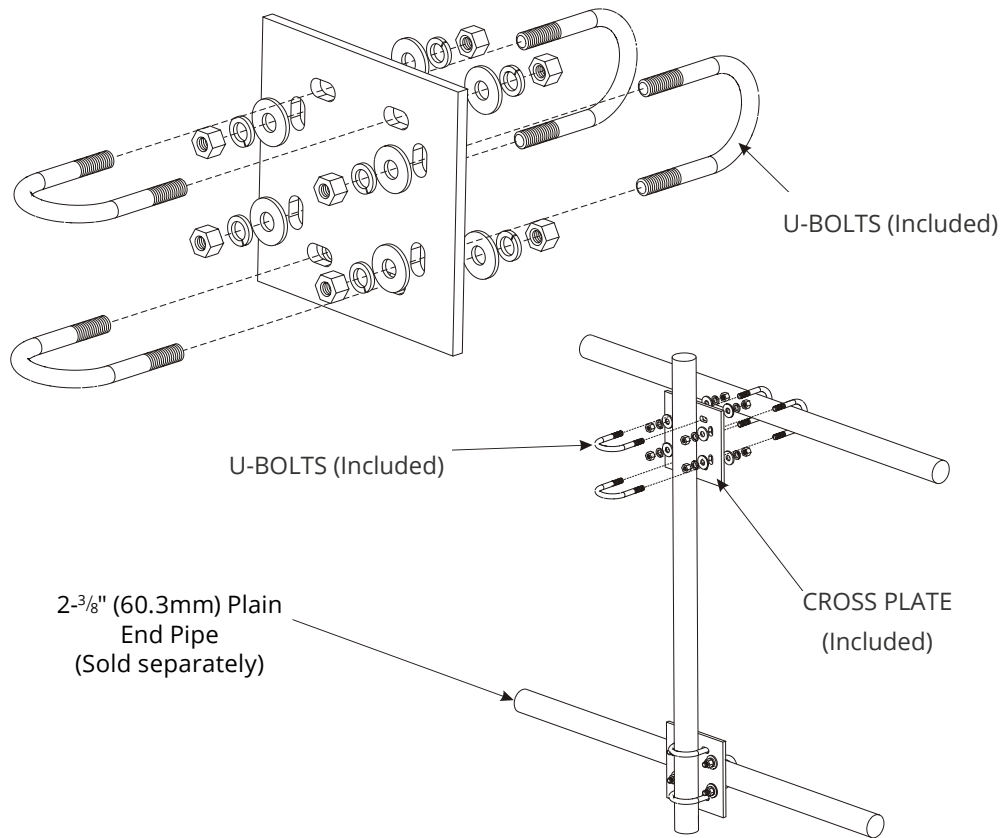
Product Reference Sheet

Crossover Plates for Antenna Mounting Applications

Product Description

Crossover Plates are a versatile mounting solution which allows two pipes to be secured together at right angles. U-bolts are utilized to secure the pipes and are in each kit. MAR-XP2020 crossover plates will allow two 2-³/₈" (60.3mm) OD pipes to be secured together. MAR-XP203X crossover plates will allow a 2-³/₈" (60.3mm) OD and a 3¹/₂" (88.9mm) OD pipe to be secured together. MAR-XP2040X crossover plates will allow a 4-¹/₂" (114.3mm) OD and a 2-³/₈" (60.3mm) OD pipe to be secured together. Each kit includes one plate and four U-bolts. The hot-dip galvanized construction ensures long-term reliability and corrosion protection under environmental extremes.

Typical Applications



Marathon products are available from the following distributors:

Wesco
buy.wesco.com
866.746.3519

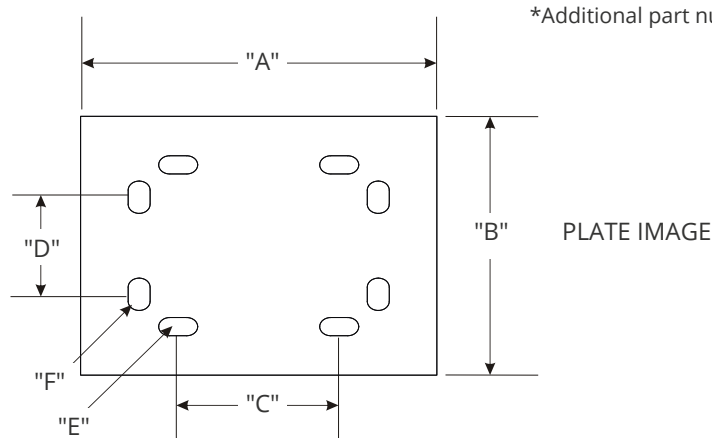
Anixter
Anixter.com
866.746.3519

230465D007
D231004-VF

Specifications

Crossover Plates

Part Number	Description	Weight		Kit Qty
		lbs.	kg	
MAR-XP2020X	Crossover Plate, 2- ³ / ₈ " OD to 2- ³ / ₈ " OD (60.3mm OD to 60.3mm OD)	10	4.54	Each
MAR-XP2030X	Crossover Plate, 2- ³ / ₈ " OD to 3- ¹ / ₂ " OD (60.3mm OD to 88.9mm OD)	10	4.54	Each
MAR-XP2040X	Crossover Plate, 2- ³ / ₈ " OD to 4- ¹ / ₂ " OD (60.3mm OD to 114.3mm OD)	11.0	4.99	Each
MAR-XP3030X	Crossover Plate, 3- ¹ / ₂ " OD to 3- ¹ / ₂ " OD (88.9mm OD to 88.9mm OD)	11.8	5.35	Each
MAR-XP3040X	Crossover Plate, 3- ¹ / ₂ " OD to 4- ¹ / ₂ " OD (88.9mm OD to 114.3mm OD)	14.3	6.49	Each
MAR-XP4040X	Crossover Plate, 4- ¹ / ₂ " OD to 4- ¹ / ₂ " OD (114.3mm OD to 114.3mm OD)	15.2	6.89	Each



*Additional part numbers are available upon request

Plate Dimensions

Finish: Plates and hardware are hot-dip galvanized

Part Number	"A"		"B"		"C"		"D"		"E"		"F"	
	in.	mm	in.	mm	in.	mm	in.	mm	in.	mm	in.	mm
MAR-XP2020X	8	203.2	8.0	203.2	3	76.2	3	76.2	⁹ / ₁₆ x 1	14.3 x 25.4	⁹ / ₁₆ x 1	14.3 x 25.4
MAR-XP2030X	9.1	231.9	8.0	203.2	4.1	104.9	3	76.2	⁹ / ₁₆ x 1	14.3 x 25.4	⁹ / ₁₆ x 1	14.3 x 25.4
MAR-XP2040X	10.3	260.4	7	177.8	5.3	134.6	3.0	76.2	¹¹ / ₁₆ x 1	17.5 x 25.4	⁹ / ₁₆ x 1	14.3 x 25.4
MAR-XP3030X	10.0	254.0	9.1	231.9	4.1	104.9	4.1	104.9	⁹ / ₁₆ x 1	14.3 x 25.4	⁹ / ₁₆ x 1	14.3 x 25.4
MAR-XP3040X	10.0	254.0	8.3	210.8	5.3	134.6	4.1	104.9	¹¹ / ₁₆ x 1	17.5 x 25.4	⁹ / ₁₆ x 1	14.3 x 25.4
MAR-XP4040X	10.0	254.0	8.3	210.8	5.3	134.6	5.3	134.6	¹¹ / ₁₆ x 1	17.5 x 25.4	¹¹ / ₁₆ x 1	17.5 x 25.4

Marathon products are available from the following distributors:

Wesco
buy.wesco.com
866.746.3519

Anixter
Anixter.com
866.746.3519

230465D007
D231004-VF