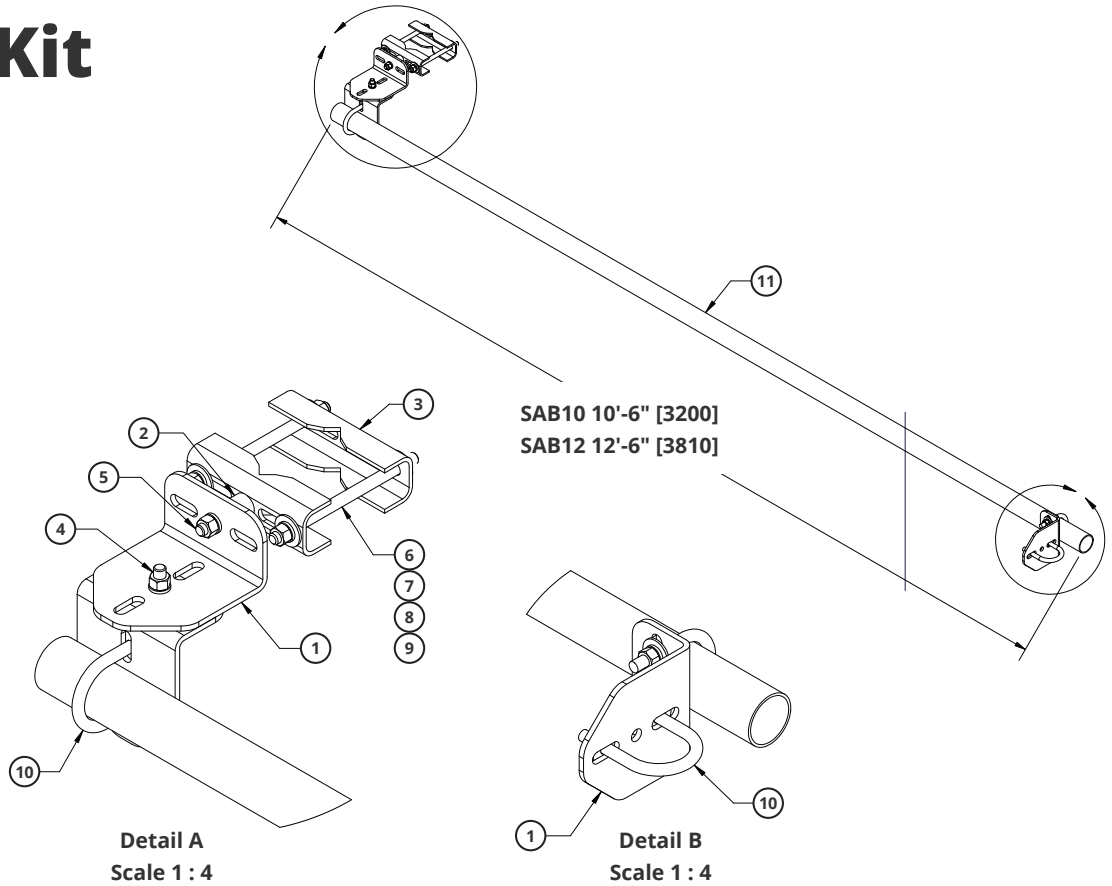


Product Reference Sheet

Stiff Arm Kit MAR-SAB12X



Product Description

Item	Part Number	Description	Weight (Lbs.)	Qty.
1	XAU01	Angle, Crossover, 1.9-3.5" x 1.9-3.5" OD	2.98	3
2	OS15034	3/4" x 1-1/2" Offset Collar	0.14	1
3	SAB.01	Formed Clamp	1.36	2
4	GB0414A	1/2" x 1-1/2" Galvanized Bolt Kit (A325)	0.13	1
5	GB0426A	1/2" x 2-3/4" Galvanized Bolt Kit (A325)	0.20	1
6	GD04800	1/2-13 UNC x 8" Galvanized Threaded Rod (A307)	0.44	2
7	GWF04	1/2" Galvanized USS Flat Washer	0.04	4
8	GWL04	1/2" Galvanized Lock Washer	0.01	4
9	GN04	1/2-13 UNC Galvanized Hex Nut (Grade 5)	0.04	4
10	GUB4240	1/2-13 UNC x 2-1/2" x 4" Galvanized U-Bolt	0.57	3
11	PIPE	Ø 2.375" OD Pipe	-	-

Notes: All metric dimensions are in brackets.