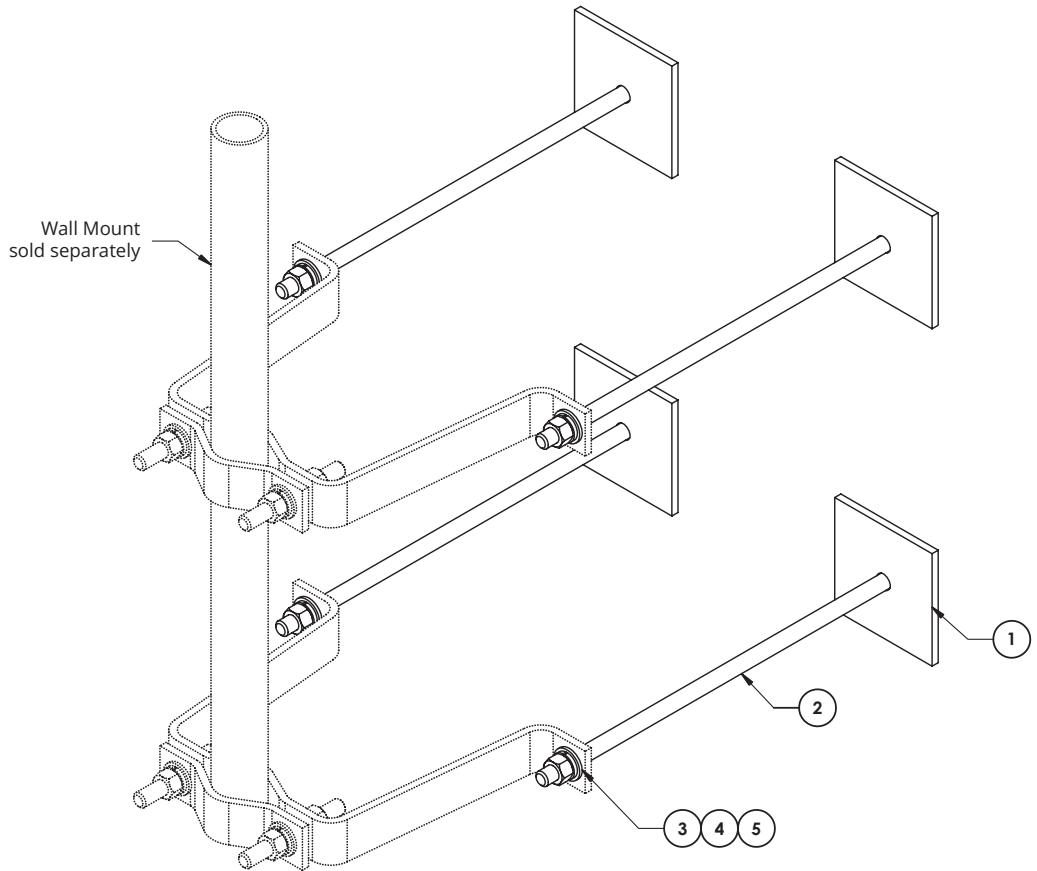


Product Reference Sheet

Hollow Wall Mount MAR-HWHK1212

Product Description

Hollow wall mount hardware kit
(1/2 in. hardware, 12 in. long).



Specifications

Hollow Wall Mount Hardware Kit*

Item	Description	Qty	Weight	
			lbs.	kg
1	Backing Plate, 2" x 2" x 0.125" with 9/16" Hole	4	1.12	0.51
2	1/2" - 13 UNC x 12" Threaded Rod, Galv, A307	4	0.89	0.40
3	1/2" Flat Washer, Galv, USS	8	0.02	0.01
4	1/2" Lock Washer	8	0.01	0.00
5	1/2" - 13 UNC Hex Nut, Galv, Gr 5	8	0.04	0.02

*Sold as a kit. Listed items in the table are included in the kit.

Marathon products are available from the following distributors:

Wesco
buy.wesco.com
866.746.3519

Anixter
Anixter.com
866.746.3519