

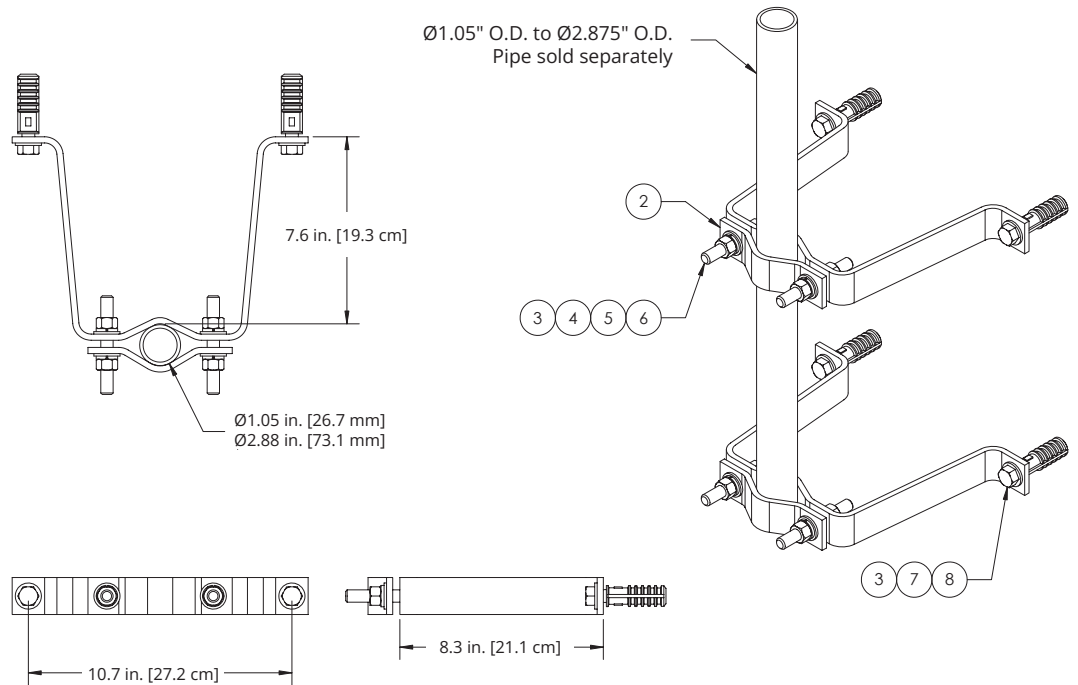
Product Reference Sheet

Heavy Duty Wall Mount

MAR-HDWM08

Product Description

Wall mount for solid walls, 8 in. offset for 1 in. (OD) to 2-1/2 in. (OD) pipe.



Specifications

Heavy Duty Wall Mount*

Item	Description	Qty	Weight	
			lbs.	kg
1	Heavy Duty Wall Mount Bracket, 8" Offset	2	2.66	1.21
2	1.5" - 3.5" OD Clamp Half	2	0.61	0.28
3	1/2" Galv Flat Washer	12	0.02	0.009
4	1/2" Galv Lock Washer	8	0.01	0.005
5	1/2" - 13 UNC Galv Hex Nut (Grade 5)	8	0.04	0.018
6	1/2" - 13 UNC x 4" Galv Threaded Rod (A36)	4	0.22	0.100
7	1/2" Short Galv Lag Shield	4	0.13	0.059
8	1/2" x 2-1/2" Galv Lag Screw	4	0.15	0.068

*Sold as a kit. Listed items in the table are included in the kit.

Marathon products are available from the following distributors:

Wesco
buy.wesco.com
866.746.3519

Anixter
Anixter.com
866.746.3519

230465D014
D240125-VF