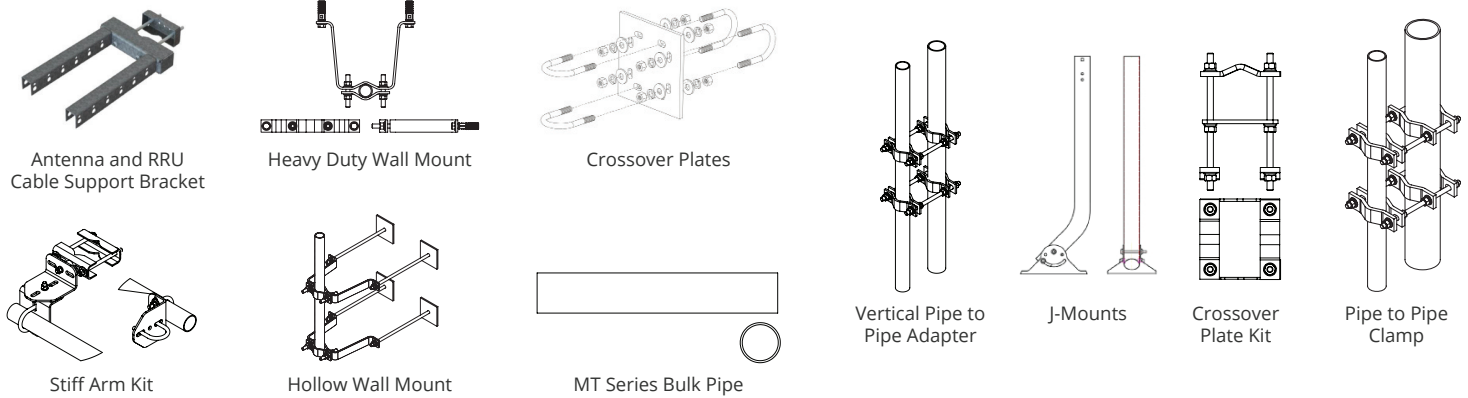


# Marathon Site Hardware Accessories

## Wall Pipe Mounting

Marathon wall pipe mounting accessories are part of our telecommunications site hardware offering. These products allow customers to secure antennas of various sizes to the walls of their environment. Our portfolio was developed to accommodate the unique mounting needs of different sites.



Part Number	Product Description	Type
MAR-XP2020X	Crossover Plate, 2-3/8" O.D. to 2-3/8" O.D. (60.3 mm O.D. to 60.3 mm O.D.)	Mount
MAR-XP2030X	Crossover Plate, 2-3/8" O.D. to 3-1/2" O.D. (60.3 mm O.D. to 88.9 mm O.D.)	Mount
MAR-CO200X	Universal Crossover Plate for 1-1/2" to 5" O.D. Round Members	Mount
MAR-XP2025X	Crossover Plate Kit, 2-3/8" O.D. x 2-7/8" O.D.	Mount
MAR-BC3514X	Pipe to Pipe Clamp 2-3/8" to 5" O.D., Heavy Duty	Mount
MAR-HDWM08	Wall Mount for Solid Walls, 8" Offset, for 1" O.D. to 2-1/2" O.D. Pipe	Mount
MAR-HWHK1212	Hollow Wall Mount Hardware Kit	Mount Kit
MAR-JPM22X	J-Pipe Mount and Foot, 1-5/8" x 22" Mast	Mount
MAR-ACSD24X	Dual Leg Cable Support Bracket, Fits 1.9"-4.5" O.D. Pipe	Mount
MAR-SAB12X	Bracket, Stiff Arm with 2-3/8" O.D. x 12'6" Pipe	Mount
MAR-MT651X	Galvanized Pipe, 2-3/8" O.D. x 72"	Pipe
MAR-MT65196X	Galvanized Pipe, 2-3/8" O.D. x 96"	Pipe
MAR-MT537X	Galvanized Pipe, 2-3/8" O.D. x 126"	Pipe
MAR-MT651120X	Pipe 2-3/8" O.D. X 10' (120"), 0.12" wall, HDG, ASTM A500 GR. C	Pipe
MAR-MT546120X	Pipe 2-7/8" O.D. X 10' (120"), 0.12" wall, HDG, ASTM A500 GR. C	Pipe
MAR-MT546126X	Pipe 2-7/8" O.D. X 10'6" (126"), 0.12" wall, HDG, ASTM A500 GR. C	Pipe
MAR-MT547126X	Pipe 3-1/2" O.D. X 10'6" (126"), 0.12" wall, HDG, ASTM A500 GR. C	Pipe
MAR-MT651150X	Pipe 2-3/8" O.D. X 12'6" (150"), 0.12" wall, HDG, ASTM A500 GR. C	Pipe
MAR-BC2010X	Vertical Pipe to Pipe Adapter Joins Two 1-1/2" O.D. to 3-1/2" O.D. Pipes	Pipe Accessory

Please visit [www.marathonbroadband.com](http://www.marathonbroadband.com) for a comprehensive list of available site hardware accessory SKUs and spec sheets.