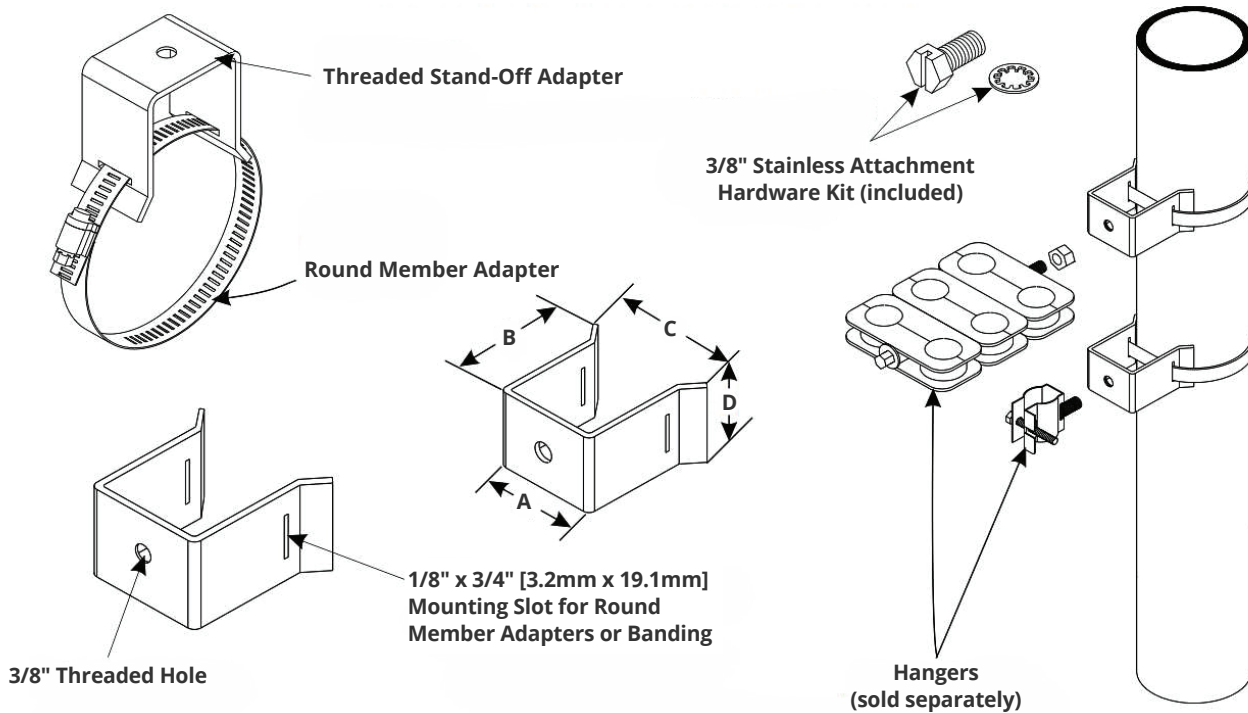


Stand-Off Adapter Kits

Product Description

Stand-Off Adapter Kits enable hangers to be mounted to 1" (25.4mm) or larger round members. The Stand-Off Adapter will accommodate hangers or other accessories that utilize a 3/8" threaded hole. Round Member Adapters and hanger mounting hardware are included. All components are manufactured from stainless steel to provide excellent corrosion resistance and ensure long-term integrity in extreme weather applications.





Enduring Quality, Exceptional Value

www.marathonbroadband.com

Specifications

Finish:

All material and hardware is stainless steel

Stand-Off Adapter Kits

Part Number	Description	"A"	"B"	"C"	"D"	Round Member Adapter Qty.	Threaded Stand-Off Adapter Qty.	Stainless Toothed Lock Washer Qty.	3/8" x 3/4" Slotted Hexhead Bolt Qty.
MAR-SA-38SX	Stand-Off Adapter	1.75" (44.5mm)	2.25" (57.2mm)	2.375" (60.3mm)	1.50" (38.1mm)	0	10	10	10
MAR-SA-38S100X	Stand-Off Adapter for 1" to 2" (25.4mm to 50.8mm) OD Members	1.25" (31.8mm)	1.50" (38.1mm)	1.50" (38.1mm)	1.50" (38.1mm)	10	10	10	10
MAR-SA-38S200X	Stand-Off Adapter for 2" to 3" (50.8mm to 76.2mm) OD Members	1.75" (44.5mm)	2.25" (57.2mm)	2.375" (60.3mm)	1.50" (38.1mm)	10	10	10	10
MAR-SA-38S300X	Stand-Off Adapter for 3" to 4" (76.2mm to 101.6mm) OD Members	1.75" (44.5mm)	2.25" (57.2mm)	2.375" (60.3mm)	1.50" (38.1mm)	10	10	10	10
MAR-SA-38S400X	Stand-Off Adapter for 4" to 5" (101.6mm to 127mm) OD Members	1.75" (44.5mm)	2.25" (57.2mm)	2.375" (60.3mm)	1.50" (38.1mm)	10	10	10	10
MAR-SA-38S500X	Stand-Off Adapter for 5" to 6" (127mm to 152.4mm) OD Members	1.75" (44.5mm)	2.25" (57.2mm)	2.375" (60.3mm)	1.50" (38.1mm)	10	10	10	10
MAR-SA-38S600X	Stand-Off Adapter for 6" to 8" (152.4mm to 203.2mm) OD Members	1.75" (44.5mm)	2.25" (57.2mm)	2.375" (60.3mm)	1.50" (38.1mm)	10	10	10	10
MAR-SA-38S800X	Stand-Off Adapter for 8" to 10" (203.2mm to 254mm) OD Members	1.75" (44.5mm)	2.25" (57.2mm)	2.375" (60.3mm)	1.50" (38.1mm)	10	10	10	10