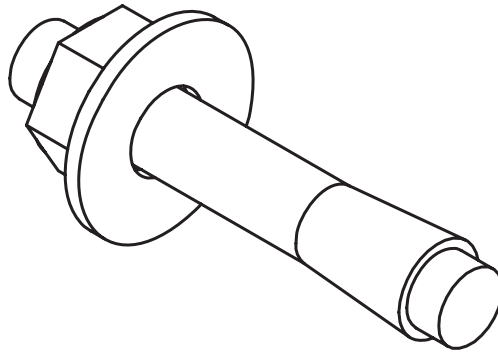


## Wedge Anchor



### Wedge Anchor

Bolt			Nut			Washer		
Part Number	Size	Finish	Part Number	Size	Finish	Part Number	Size	Finish
MAR-MT27101	1/2" x 3-3/4" (L)	Zinc Coated	MAR-GN04	1/2"-13 UNC, Hex	Gr 2 or Gr 5	MAR-GWF04USS	1/2" Flat	Galvanized, USS

Finished kit weight: 0.22 lbs (0.10 kg)

#### Instructions:

No label required on individual kits for global parts. Assemble washer and nut onto the wedge anchor. See distribution packaging and labeling instruction sheet for proper label usage and placement for customer-specific items.

Part Number	Description	U/M	Packaging	Qty.	Pkg. Wt.
MAR-MT271	1/2" x 3-3/4" (L) Wedge Anchor, Zinc Coated	EA	Bulk Box 13.39" x 7.87" x 5.71" (340.0mm x 200.0mm x 145.0mm)	200	45.63 lbs (20.70 kg)

#### Instructions:

Place kit identifier label on the outside, in the center of the bottom of the box. This label is only required on global part numbers that end with an X. See distribution packaging and labeling instruction sheet for proper label usage and placement for customer-specific items.