

Passive Components for Communications Networks

Directional Coupler — High Performance

Notable Product Features

- High Performance from 617–4000MHz, PIM₃ ≤ -161dBc
- Designed for indoor/outdoor deployments
- Outstanding performance and reliability



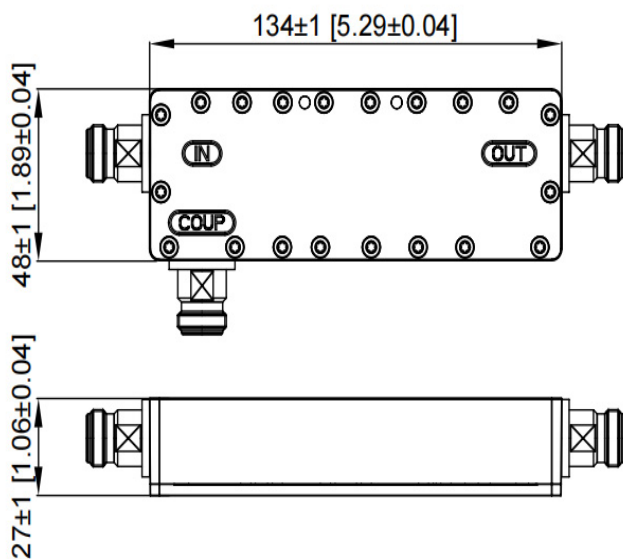
Electrical Specifications										
Part#	4.3/10 Female Conn	MC5-617-40004F	MC6-617-40004F	MC7-617-40004F	MC8-617-40004F	MC10-617-40004F	MC13-617-40004F	MC15-617-40004F	MC20-617-40004F	MC30-617-40004F
	N-Female Conn	MC5-617-4000NF	MC6-617-4000NF	MC7-617-4000NF	MC8-617-4000NF	MC10-617-4000NF	MC13-617-4000NF	MC15-617-4000NF	MC20-617-4000NF	MC30-617-4000NF
Frequency Range (MHz)	617–4000MHz									
Coupling Value (dB)	5	6	7	8	10	13	15	20	30	
Coupling Tolerance	±1.0	±1.0	±1.0	±1.2	±1.2	±1.3	±1.3	±1.5	±1.5	
Insertion Loss (dB)	< 2.4	< 1.8	< 1.6	< 1.2	< 0.8	< 0.5	< 0.4	< 0.3	< 0.3	
Isolation@617–2700MHz (dB)	25	26	27	28	30	33	35	40	45	
Isolation@2700–4000MHz (dB)	23	24	25	26	28	31	33	38	40	
VSWR	1.25:1									
PIM3 (dBc)	≤ -161@2x43dBm									
Reflection Power, max (W)	35	40	50	70	100	200	200	200	200	
Average Power, max (W)	200									
Peak Power, max (W)	1000									
Impedance (ohms)	50									

Mechanical Specifications	
Dimensions HxWxD (mm/in) (exclude conn)	134x48x27 / 5.28x1.89x1.06
Weight (kg/lb) (includes conn, mount)	0.45 / 0.99
Coupling Nut Proof Torque	≤ 4.5N.m
Color	Black
Mounting	Wall Mounted

Environmental Specifications	
Operational Temperature (°C)	-35 to +85
Operational Humidity (%)	≤ 95
Ingress Protection Class	IP65
Application	Indoor and Outdoor
RoHS	Compliant

Drawing reference

MCXX-617-4000NF



MCXX-617-40004F

