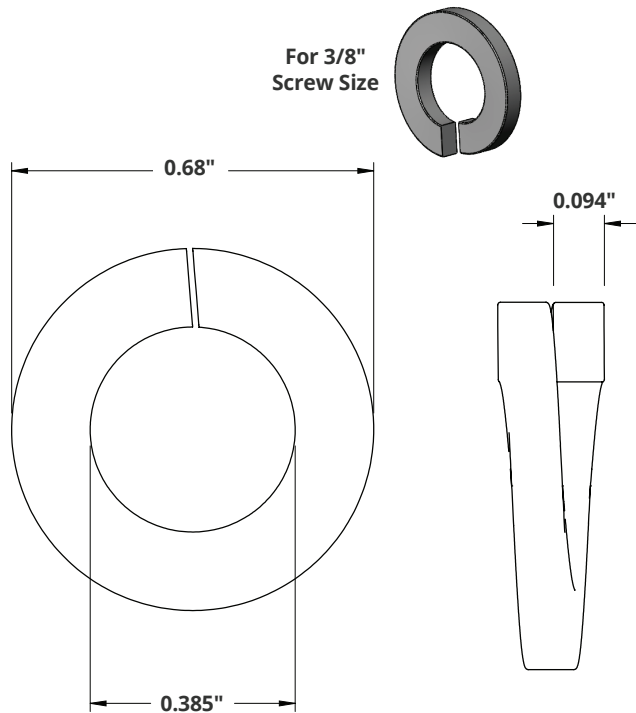


18-8 Stainless Steel Split Lock Washer

MAR-SWL03100



Specifications

Product Features

Part Number	MAR-SWL03100
Description	3/8" Lock Washer, Stainless Steel
Material	18-8 Stainless Steel
For Screw Size	3/8"
I.D.	0.385"
O.D.	0.680"
Thickness	0.094"
Specification	ASME B18.21.1
Country of Origin	India or China