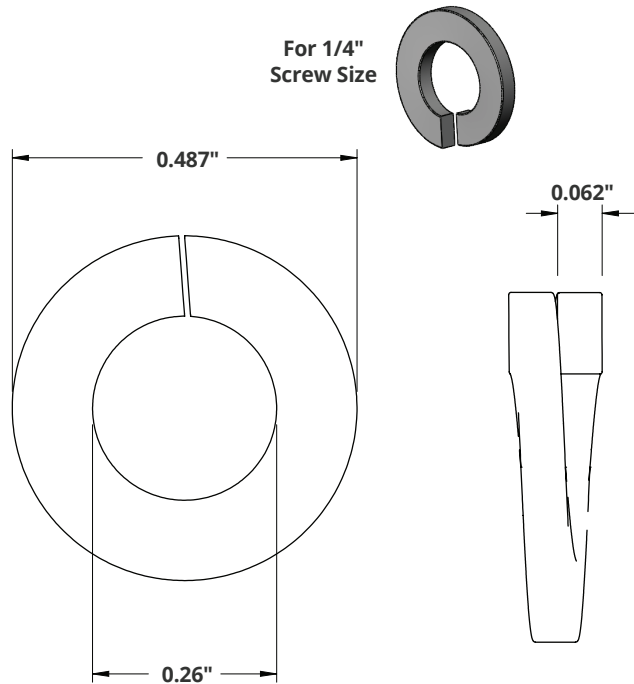


Product Reference Sheet

## 92146A029\_18-8 Stainless Steel Split Lock Washer

MAR-SWL02100



### Specifications

#### Product Features

|                          |                                   |
|--------------------------|-----------------------------------|
| <b>Part Number</b>       | MAR-SWL02100                      |
| <b>Description</b>       | 1/4" Lock Washer, Stainless Steel |
| <b>Material</b>          | 18-8 Stainless Steel              |
| <b>For Screw Size</b>    | 1/4"                              |
| <b>I.D.</b>              | 0.26"                             |
| <b>O.D.</b>              | 0.487"                            |
| <b>Thickness</b>         | 0.062"                            |
| <b>Specification</b>     | ASME B18.21.1                     |
| <b>Country of Origin</b> | India or China                    |