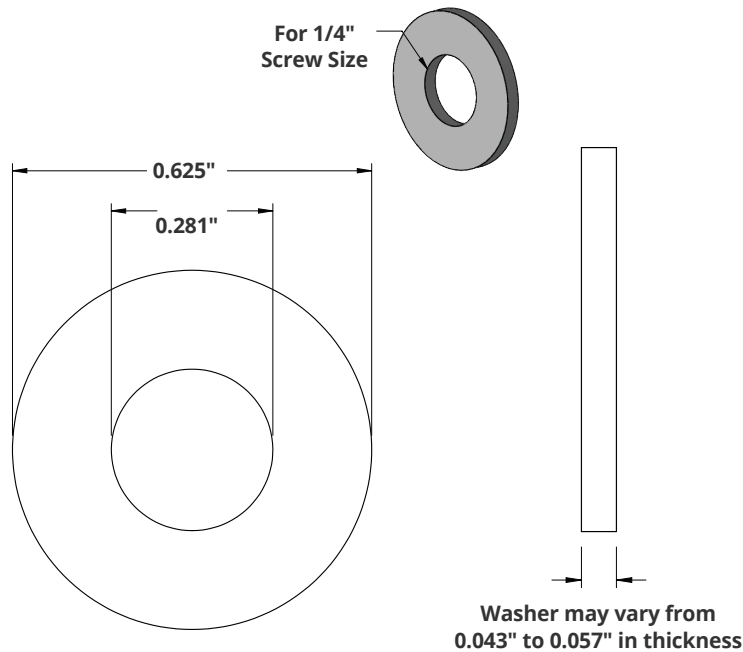


Product Reference Sheet

18-8 Stainless Steel Washer

MAR-SWF02100



Specifications

Product Features

Part Number	MAR-SWF02100
Description	1/4" Flat Washer, Stainless Steel
Material	18-8 Stainless Steel
For Screw Size	1/4"
I.D.	0.281"
O.D.	0.625"
Thickness	0.065"
Specification	ASME B18.21.1
Country of Origin	India or China