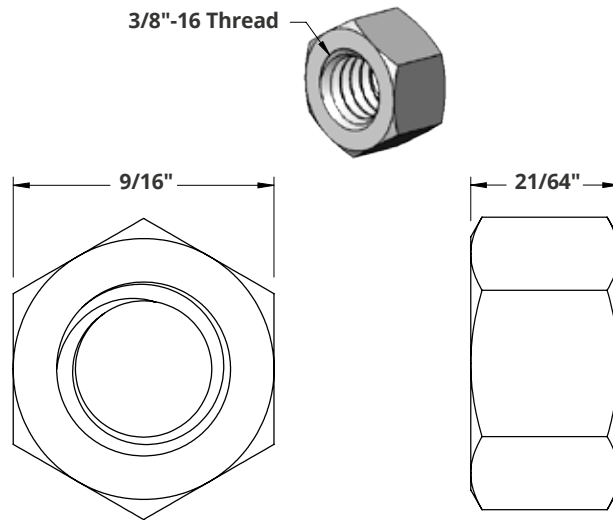


Product Reference Sheet

18-8 Stainless Steel Hex Nut

MAR-SN03100



Specifications

Product Features

Part Number	MAR-SN03100
Description	3/8"-16 UNC Hex Nut, 18-8 Stainless Steel
Material	18-8 Stainless Steel
Fastener Grade/Class	—
Thread Size	3/8"-16 UNC
Thread Type	UNC
Thread Spacing	Coarse
Thread Fit	Class 2B
Thread Direction	Right Hand
Width	9/16"
Height	21/64"
Specification	ASME B18.2.2
Country of Origin	India or China