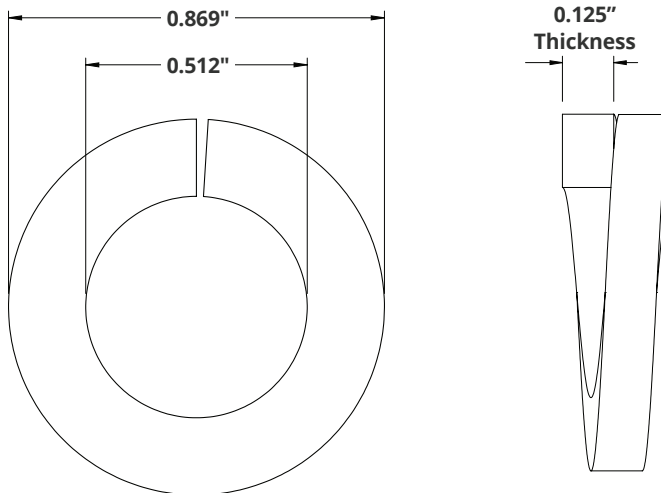
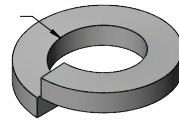


Product Reference Sheet

Hot-Dipped Galvanized Steel Split Lock Washer

MAR-GWL04100

For 1/2"
Screw Size



Specifications

Product Features

Part Number	MAR-GWL04100
Description	1/2" Lock Washer, Galvanized
Material	Hot Dip Galvanized Steel
For Screw Size	1/2"
I.D.	0.512"
O.D.	0.869"
Thickness	0.125"
Specification	ASME B18.21.1
Country of Origin	India or China