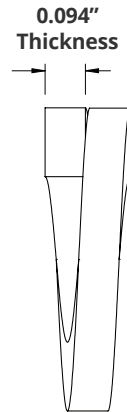
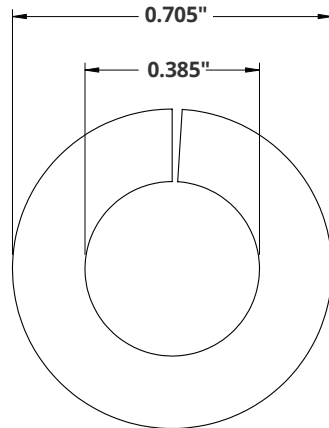
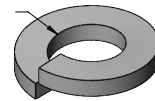


Product Reference Sheet

## Hot-Dipped Galvanized Steel Split Lock Washer

MAR-GWL03100

For 3/8"  
Screw Size



### Specifications

#### Product Features

<b>Part Number</b>	MAR-GWL03100
<b>Description</b>	3/8" Lock Washer, Galvanized
<b>Material</b>	Hot Dip Galvanized Steel
<b>For Screw Size</b>	3/8"
<b>I.D.</b>	0.385"
<b>O.D.</b>	0.680"
<b>Thickness</b>	0.094"
<b>Specification</b>	ASME B18.21.1
<b>Country of Origin</b>	India or China