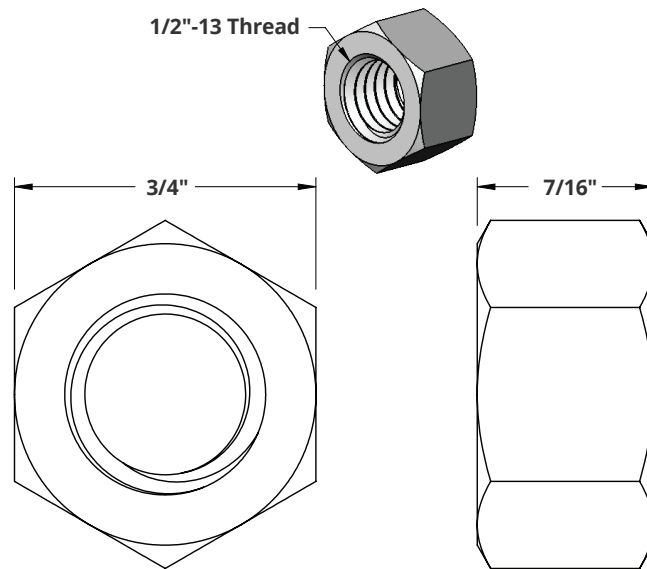


Medium-Strength Steel Hex Nut

MAR-GN04100



Specifications

Product Features

Part Number	MAR-GN04100
Description	1/2"-13 UNC Hex Nut, Galvanized, SAE J995 Grade
Material	Hot Dip Galvanized Steel
Fastener Grade/Class	SAE J995 Grade 5
Thread Size	1/2"-13 UNC
Thread Type	UNC
Thread Spacing	Coarse
Thread Fit	Class 2B
Thread Direction	Right Hand
Width	3/4"
Height	7/16"
Specification	ASME B18.2.2, SAE J995 Grade 5
Country of Origin	India or China