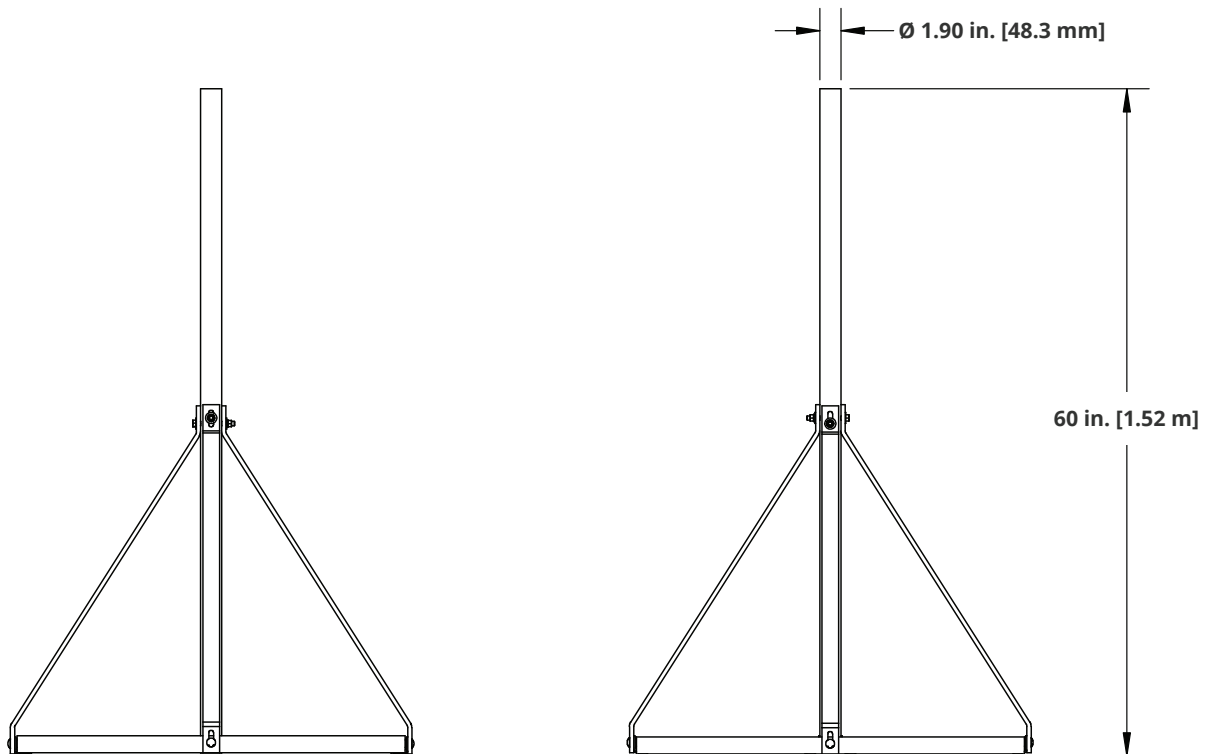
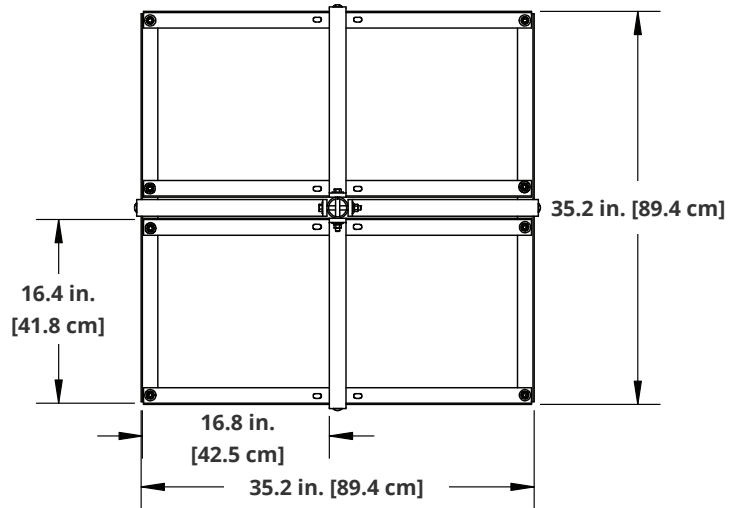
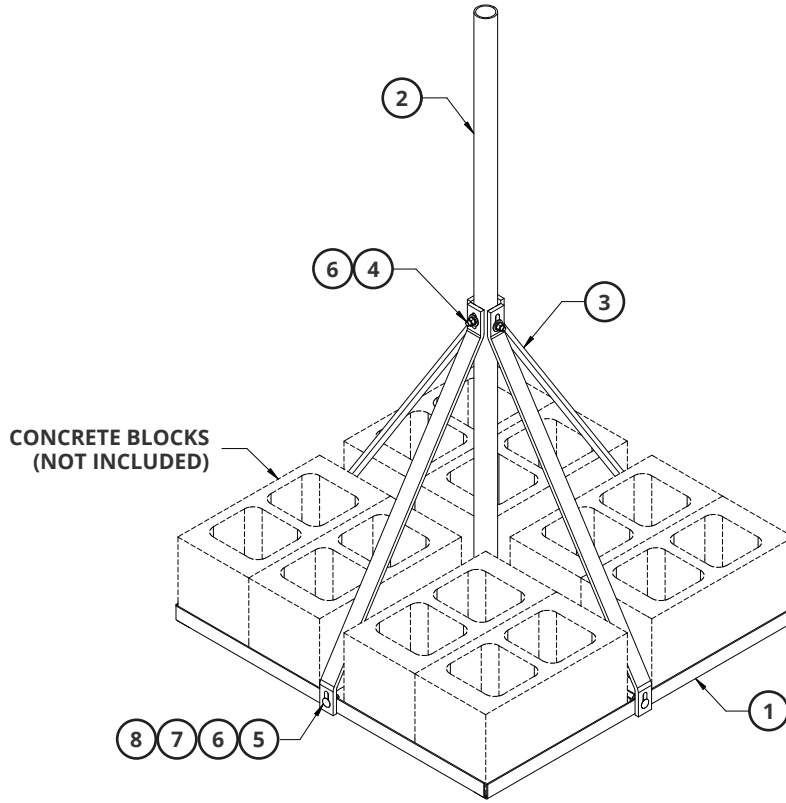


Non-Penetrating Tripod Antenna Mount

Product Description

Non-Penetrating Tripod Antenna Mount with 1.9 in. (OD) x 60 in. tall mast. Typically used mounting satellite dishes, wireless internet antennas such as donor antennas for DAS, weather stations, and more. Uses standard concrete blocks to anchor to roof. Steel construction. The Roof Mat (sold separately) is used to protect roof from the frame rails. Professional installation is always recommended to determine ballast needs and roof integrity.





Specifications

Non-Penetrating Tripod Antenna Mount — MAR-RSM19060X*

Item	Part Number	Description	Qty.	Weight	
				lbs.	kgs
1	RSM190.01	Angle Base Tray	6	2.86	1.30
2	RSM19060.01	Vertical Pipe Mast, 1.9" OD X 60"	1	13.37	6.06
3	RSM19060.02	Pipe Brace	4	5.69	2.58
4	GB03205	3/8-16 UNC x 3-1/2" Galvanized Hex Bolt Kit (Grade 5)	3	0.13	0.06
5	MTC8196	3/8-16 UNC x 1-1/4" Galvanized Square Neck Carriage Bolt (Grade 5)	12	0.06	0.03
6	GWF03	3/8" Galvanized USS Flat Washer	18	0.01	0.0045
7	GWL03	3/8" Galvanized Lock Washer	12	0.01	0.0045
8	GN-03	3/8-16 UNC Galvanized Hex Nut (Grade 5)	12	0.02	0.01

*Sold as a kit. Listed items in the table are included in the kit. MAR-MTF1637X (sold separately) should be used with this SKU.