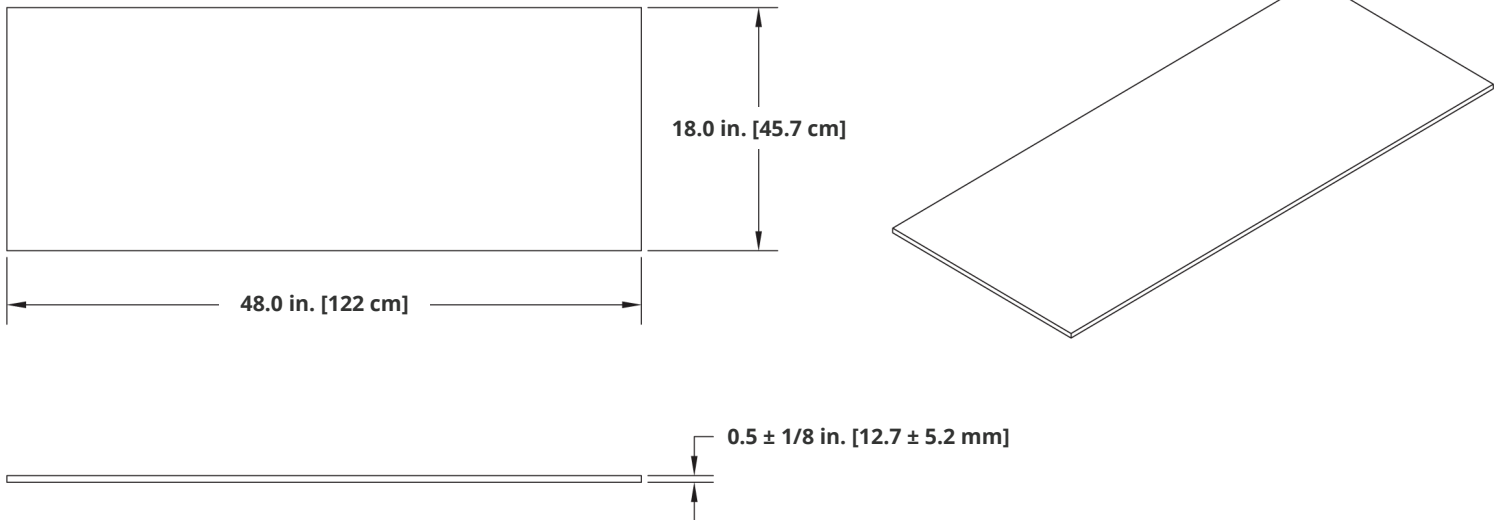


Rubber Mat

Product Description

Heavy-duty rubber mats (EPDM rubber) are used for non-penetrating rooftop-mount installations. Designed to protect the roof from metal brackets and restrict metal brackets from moving during weather conditions.

MATERIAL: EPDM RUBBER, 65-70 DUROMETER



Specifications

Rubber Mat*

Part Number	Description	Material	Qty.
MAR-MTF1637X	Rubber Mat, 1/2" x 18" x 48"	EPDM Rubber, 65-70 Durometer	Each

*MAR-RMSM19060 (sold separately) should be used with this SKU.