

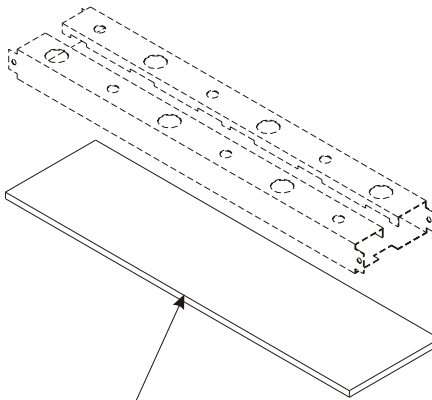
Product Reference Sheet

Rubber Roof Sleeper Pads for Roof Sleeper Applications

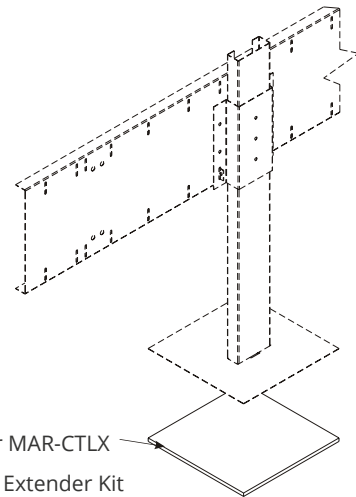
Product Description

Cable Tray Rubber Sleeper Pads are manufactured from high strength ¼" synthetic rubber to protect roof surfaces from possible damage. These pads also prevent sliding and shifting from occurring due to vibration common on roofs which incorporate a slight pitch or slope. Pads are manufactured and shipped in 10' lengths and are available in 4" and 8" widths and can be easily cut to length using a standard utility knife.

Typical Applications



MAR-CTP4X for MAR-CTSX Series Cable Tray Sleepers



MAR-CTP8X for MAR-CTLX Cable Tray Leg Extender Kit

Specifications

Cable Tray Systems - Rubber Sleeper Pads

Part Number	Description	Weight		Kit Qty.
		lbs.	kg	
MAR-CTP4X	4" x ¼" x 10' Rubber Sleeper Pad	5.8	2.6	Each
MAR-CTP8X	8" x ¼" x 10' Rubber Sleeper Pad	11.2	5.1	Each

Marathon products are available from the following distributors:

Wesco
buy.wesco.com
866.746.3519

Anixter
Anixter.com
866.746.3519