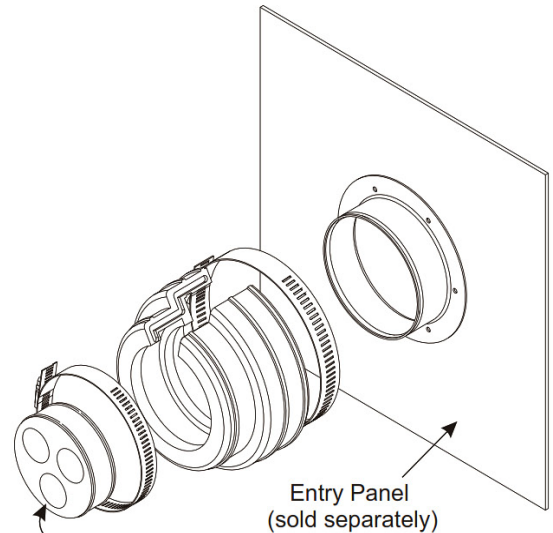
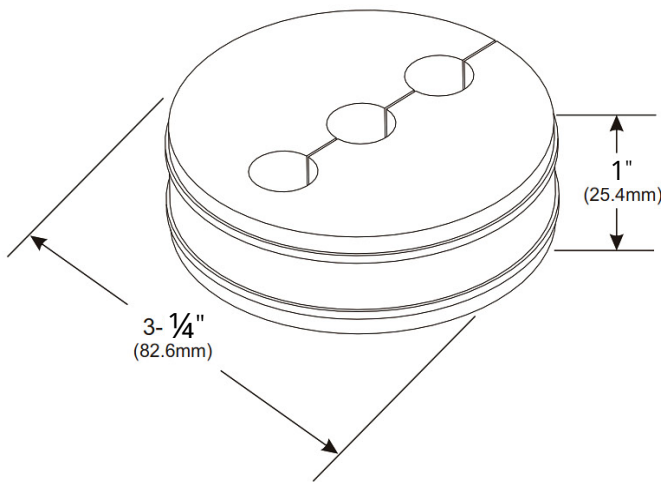


## Standard Cushion Inserts for Coaxial Cable Applications

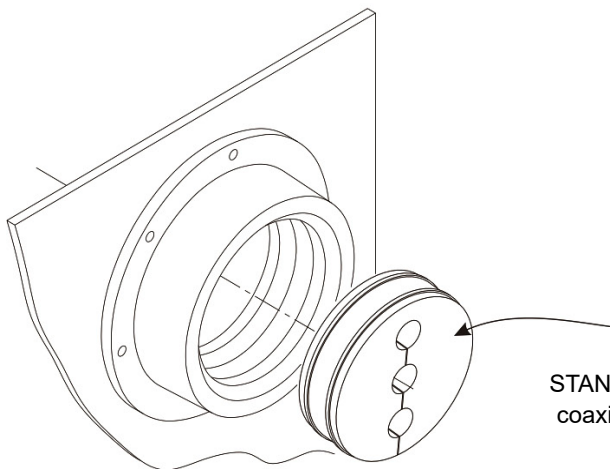
### Product Description

Standard Cushion Inserts provide a weather tight seal around coaxial cable or elliptical waveguide when penetrating building walls or equipment bulkheads. SC-series cushions can be ordered individually, in boot assemblies, or with cushion hanger assembly kits to meet any application requirements. Standard cushion inserts are constructed from UV-resistant EPDM rubber which is durable in extreme temperatures and harsh environmental conditions.

### Typical Applications



**MAR-SC783**  
STANDARD CUSHION for  $\frac{7}{8}$ " coaxial cable with 3 holes in a boot assembly application.



**MAR-SC123**  
STANDARD CUSHION for  $\frac{1}{2}$ " (12.7mm) coaxial cable with 3 holes in a standard entry port application.

Marathon products are available from the following distributors:

**Wesco**  
[buy.wesco.com](http://buy.wesco.com)  
866.746.3519

**Anixter**  
[Anixter.com](http://Anixter.com)  
866.746.3519

230465D005  
D231005-VF

## Specifications

### Standard Coax Cushions - Standard Port Cushion For Coaxial Cable

Part Number	Size		Number of Holes	Weight		Kit Qty.
	in.	mm		lbs.	g	
MAR-SC121	1/2"	12.7	1	0.4	181.44	Each
MAR-SC122	1/2"	12.7	2	0.4	181.44	Each
MAR-SC122	1/2"	12.7	3	0.4	181.44	Each
MAR-SC124	1/2"	12.7	4	0.4	181.44	Each
MAR-SC125	1/2"	12.7	5	0.4	181.44	Each
MAR-SC381	3/8"	9.5	1	0.4	181.44	Each
MAR-SC382	3/8"	9.5	2	0.4	181.44	Each
MAR-SC383	3/8"	9.5	3	0.4	181.44	Each
MAR-SC389	3/8"	9.5	9	0.4	181.44	Each
MAR-SC581	5/8"	15.9	1	0.4	181.44	Each
MAR-SC582	5/8"	15.9	2	0.4	181.44	Each
MAR-SC583	5/8"	15.9	3	0.4	181.44	Each
MAR-SC584	5/8"	15.9	4	0.4	181.44	Each
MAR-SC781	7/8"	22.2	1	0.4	181.44	Each
MAR-SC782	7/8"	22.2	2	0.4	181.44	Each
MAR-SC783	7/8"	22.2	3	0.4	181.44	Each
MAR-SC784	7/8"	22.2	4	0.4	181.44	Each
MAR-SC1142	1-1/4"	31.8	1	0.3	136.08	Each
MAR-SC1582	1-5/8"	41.3	1	0.3	136.08	Each
MAR-SC2142	2-1/4"	57.1	1	0.2	90.72	Each

\*Additional part numbers are available upon request.

Marathon products are available from the following distributors:

**Wesco**  
buy.wesco.com  
866.746.3519

**Anixter**  
Anixter.com  
866.746.3519

230465D005  
D231005-VF

## Specifications

### Standard Port Cushion For Rg 213, Rg 214, and Rg 11

Part Number	Size	Number of Holes	Weight		Kit Qty.
			lbs.	g	
MAR-SCRG2136X	RG213, RG214, & RG11	6	0.3	136.08	Each

### Standard Coax Cushions - Standard Port Cushion For Rg 8 Coaxial Cable

Part Number	Size	Number of Holes	Weight		Kit Qty.
			lbs.	g	
MAR-SCRG86X	RG8	6	0.3	136.08	Each

### Standard Port Cushion For Flex Coax

Part Number	Size		Number of Holes	Weight		Kit Qty.
	in.	mm		lbs.	kg	
MAR-SC12F1X	½"	12.7	1	0.4	181.44	Each
MAR-SC12F2X	½"	12.7	2	0.4	181.44	Each
MAR-SC12F3X	½"	12.7	3	0.4	181.44	Each
MAR-SC12F4X	½"	12.7	4	0.4	181.44	Each

### Standard Port Cushion For LMR® Coax

Part Number	Size	Number of Holes	Weight		Kit Qty.
			lbs.	kg	
MAR-SC400T7X	LMR-400	6	0.3	136.08	Each
MAR-SC600T1X	LMR-600	1	0.4	181.44	Each
MAR-SC600T2X	LMR-600	2	0.4	181.44	Each
MAR-SC600T3X	LMR-600	3	0.4	181.44	Each
MAR-SC600T4X	LMR-600	4	0.4	181.44	Each
MAR-SC900T1X	LMR-900	1	0.4	181.44	Each
MAR-SC900T2X	LMR-900	2	0.4	181.44	Each
MAR-SC900T3X	LMR-900	3	0.4	181.44	Each
MAR-SC900T4X	LMR-900	4	0.4	181.44	Each
MAR-SC1200T1X	LMR-1200	1	0.3	136.08	Each
MAR-SC1200T2X	LMR-1200	2	0.3	136.08	Each
MAR-SC1200T3X	LMR-1200	3	0.3	136.08	Each
MAR-SC1700T2X	LMR-1700	1	0.3	136.08	Each

\*Additional part numbers are available upon request.

Marathon products are available from the following distributors:

**Wesco**  
buy.wesco.com  
866.746.3519

**Anixter**  
Anixter.com  
866.746.3519

230465D005  
D231005-VF

## Specifications

### Standard Port Cushion For Elliptical Waveguide

Part Number	Size	Number of Holes	Weight		Kit Qty.
			lbs.	g	
MAR-SC372X	EW37	1	0.3	136.08	Each
MAR-SC462X	E46	1	0.3	136.08	Each
MAR-SC522X	EW52 & E60	1	0.3	136.08	Each
MAR-SC632X	EW63 & E65	1	0.3	136.08	Each
MAR-SC702X	E70	1	0.3	136.08	Each
MAR-SC772X	EW77 & E78	1	0.4	181.44	Each
MAR-SC852X	EW85 & E108	1	0.4	181.44	Each
MAR-SC902X	EW90	1	0.4	181.44	Each
MAR-SC1272X	EW127 & E130	1	0.4	181.44	Each
MAR-SC1502X	E150 & EW132	1	0.4	181.44	Each
MAR-SC1802X	EW180	1	0.4	181.44	Each
MAR-SC2202X	EW2220	1	0.4	181.44	Each

\*Additional part numbers are available upon request.

Marathon products are available from the following distributors:

**Wesco**  
buy.wesco.com  
866.746.3519

**Anixter**  
Anixter.com  
866.746.3519

230465D005  
D231005-VF