

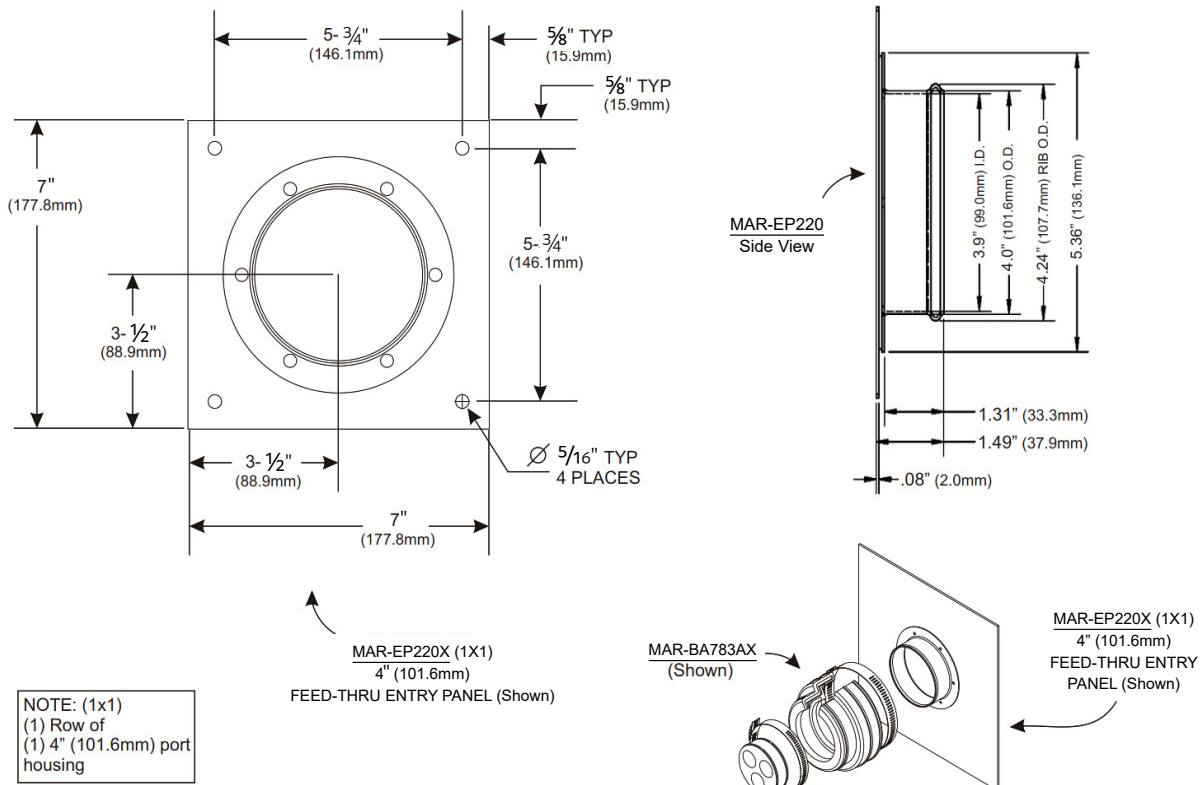
Product Reference Sheet

Feed-thru Entry Panels MAR-EP220X

Product Description

Aluminum Feed-thru Entry Panels enable multiple coax runs to enter buildings and shelters. The entry panel supports coax at the entry point and prevents moisture from entering the building. Feed-thru entry panels feature 4" (101.6mm) or 5" (127mm) openings to accept 4" (101.6mm) to 5" (127mm) boot assemblies. They can be used in both interior and exterior wall mounting applications. Each feed-thru entry panel includes #14 stainless steel screws, finishing washers, plastic anchors, and entry port caps. Feed-thru entry panels are manufactured from .080" (2.0mm) aluminum and are powder coated to ensure long term integrity and provide appealing aesthetics.

Typical Applications



Specifications

Finish: Entry panels are manufactured from .080" aluminum and are powder coated. All attachment hardware is stainless steel.

4" Feed-Thru Entry Panel

Part Number	Description	Wall Opening Size				Weight		Qty
		Width		Height		lbs.	g	
		in.	cm	in.	cm			
MAR-EP220X	4" (101.6mm) Entry Panel, 1 Port, 1x1	4	10.16	4	10.16	1	453.59	Each

*Additional part numbers are available upon request.

Marathon products are available from the following distributors:

Wesco
buy.wesco.com
866.746.3519

Anixter
Anixter.com
866.746.3519

230465D005
D231005-VF