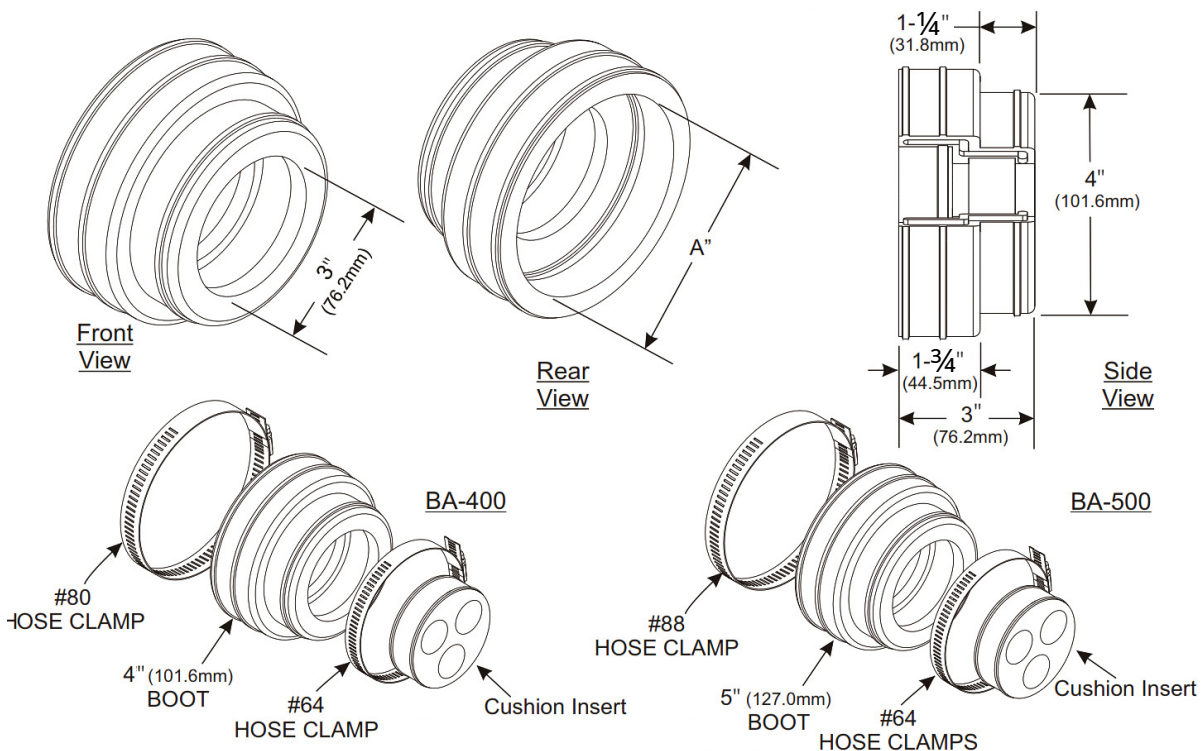


Product Reference Sheet

Feed-Thru Boot Assemblies for Coaxial Cable Applications

Product Description

Feed-thru Boot Assemblies feature a one-piece design which dramatically reduces installation time and difficulty. The split one-piece style simplifies mounting by freeing the installer hands in order to position the coax runs, insert the cushion and tighten the round member adapter clamps without having to hold two separate pieces of the boot in place. Boot assemblies are designed to be fitted onto EP series Entry Panels in wall-roof feed-thru applications. The durable boot is unaffected by ozone, sunlight, aging, or hot and cold extremities. Each boot assembly includes boot and two round member adapter clamps. SC-series cushion inserts fit inside the boot assembly to hold the coax in place. The cushion inserts can be ordered with the boot or separately to accommodate specific application requirements. See chart below and on second page.



Specifications

Feed Through Boot Assemblies

Part Number	Description	Rubber Thickness	Rubber Thickness	A	A	Weight	Weight	Kit Qty.
		in.	mm	in.	cm	lbs.	g	
MAR-BA400X	4" (101.6mm) Boot Assembly (Cushion not included)	1/2	12.7	4	10.16	1.3	600	Each
MAR-BA500X	5" (127mm) Boot Assembly (Cushion not included)	1/2	12.7	5	12.70	1.6	700	Each

*Additional part numbers are available upon request.

Marathon products are available from the following distributors:

Wesco
buy.wesco.com
866.746.3519

Anixter
Anixter.com
866.746.3519

230465D005
D231005-VF

Specifications

Feed Through Boot Assemblies - Corrugated Coaxial Cable

Part Numbers		Nominal Size		Number of Holes
4" (101.6mm) Boot	5" (127mm) Boot	in.	mm	
MAR-BA400X	MAR-BA500	—	—	0
MAR-BABAX	MAR-BABB	—	—	0
MAR-BA381AX	MAR-BA381B	3/8	11.3	1
MAR-BA382AX	MAR-BA382B	3/8	11.3	2
MAR-BA383AX	MAR-BA383B	3/8	11.3	3
MAR-BA384AX	MAR-BA384B	3/8	11.3	4
MAR-BA385AX	MAR-BA385B	3/8	11.3	5
MAR-BA386AX	MAR-BA386B	3/8	11.3	6
MAR-BA389AX	MAR-BA389B	3/8	11.3	9
MAR-BA121AX	MAR-BA121B	1/2	12.7	1
MAR-BA122AX	MAR-BA122B	1/2	12.7	2
MAR-BA123AX	MAR-BA123B	1/2	12.7	3
MAR-BA124AX	MAR-BA124B	1/2	12.7	4
MAR-BA125AX	MAR-BA125B	1/2	12.7	5
MAR-BA126AX	MAR-BA126B	1/2	12.7	6
MAR-BA12F1AX	MAR-BA12F1B	1/2	12.7	1
MAR-BA12F2AX	MAR-BA12F2B	1/2	12.7	2
MAR-BA12F3AX	MAR-BA12F3B	1/2	12.7	3
MAR-BA12F4AX	MAR-BA12F4B	1/2	12.7	4
MAR-BA12F5AX	MAR-BA12F5B	1/2	12.7	5
MAR-BA12F6AX	MAR-BA12F6B	1/2	12.7	6
MAR-BA581AX	MAR-BA581B	5/8	15.9	1
MAR-BA582AX	MAR-BA582B	5/8	15.9	2
MAR-BA583AX	MAR-BA583B	5/8	15.9	3
MAR-BA584AX	MAR-BA584B	5/8	15.9	4
MAR-BA781AX	MAR-BA781B	7/8	22.2	1
MAR-BA782AX	MAR-BA782B	7/8	22.2	2
MAR-BA783AX	MAR-BA783B	7/8	22.2	3
MAR-BA784AX	MAR-BA784B	7/8	22.2	4
MAR-BA1141AX	MAR-BA1141B	1 1/4	31.8	1
MAR-BA1581AX	MAR-BA1581B	1 5/8	41.3	1
MAR-BA2141AX	MAR-BA2141B	2 1/4	57.2	1

*Additional part numbers are available upon request.

Marathon products are available from the following distributors:

Wesco
buy.wesco.com
866.746.3519

Anixter
Anixter.com
866.746.3519

230465D005
D231005-VF

Specifications

Part Numbers		Elliptical Size Type	Number of Holes
4" (101.6mm) Boot	5" (127mm) Boot		
MAR-BA371AX	MAR-BA371B	WE37	1
MAR-BA461AX	MAR-BA461B	WE46	1
MAR-BA521AX	MAR-BA521B	EW52 & WE61	1
MAR-BA631AX	MAR-BA631B	EW63 & WE65	1
MAR-BA701AX	MAR-BA701B	E70	1
MAR-BA771AX	MAR-BA771B	EW77 & WE78	1
MAR-BA851AX	MAR-BA851B	EW85 & WE108	1
MAR-BA901AX	MAR-BA901B	EW90	1
MAR-BA1271AX	MAR-BA1271B	EW127 & WE130	1
MAR-BA1501AX	MAR-BA1501B	WE150	1
MAR-BA1801AX	MAR-BA1801B	EW180 & WE191	1
MAR-BA2201AX	MAR-BA2201B	EW220	1

*Additional part numbers are available upon request.

Marathon products are available from the following distributors:

Wesco
buy.wesco.com
866.746.3519

Anixter
Anixter.com
866.746.3519

230465D005
D231005-VF