



Enduring Quality, Exceptional Value

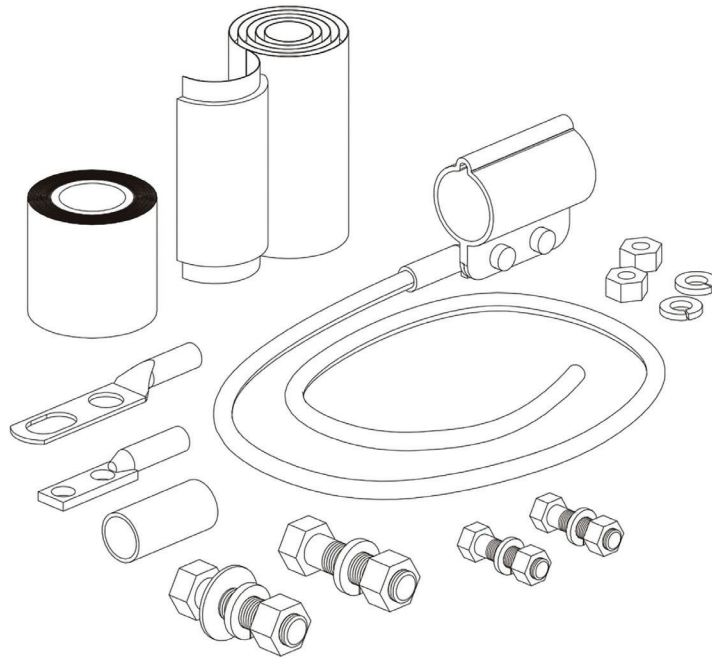
www.marathonbroadband.com

Product Reference Sheet

Standard Ground Kit for Coaxial Cable & Elliptical Waveguide Applications

Product Description

The Standard Ground Kit facilitates easy installation with a 24-gauge 1-5/8 (41.3mm) wide preformed copper strap that eliminates the need for a coiling tool and prevents overtightening. This kit is designed to comply with RoHS directives and has been verified by independent labs to protect coax from the damaging effects of lightning current in excess of 190 kA. Each kit includes a 5' (1.5m), 6-gauge 7-strand copper ground lead, which can be trimmed to the exact length required for a neat and effective installation. Included in each kit are one 1/4" two-hole ground lug, one 3/8" two-hole Universal Ground Lug, and all hardware necessary for attachment to the buss bar. The innovative 3/8" universal lug features a unique slotted design that allows it to accommodate 3/4" to 1" buss bar hole spacings, ensuring a perfect fit in any ground system. The Standard Ground Kit also includes required mastic and electrical tape for weatherproofing each kit. Standard Ground Kits can also be provided with factory-attached lugs and with different lead lengths.





Enduring Quality, Exceptional Value

www.marathonbroadband.com

Specifications

Material:

- Preformed Strap: 24 Gauge Copper
- Tensioning Hardware: Copper
- Ground Lugs: Tinned Copper
- Lead: 6-Gauge, 7-Strand Insulated Copper Wire
- Lug Attachment Hardware: Stainless Steel
- Attachment Hardware: Stainless Steel

Standard Ground Kits for Coax — Coaxial Cable

Part Number	Description	Weight		Kit Qty.
		lbs.	g	
MAR-GKS14X	Standard Ground Kit for 1/4" Coaxial Cable	1.8	816	Each
MAR-GKS38X	Standard Ground Kit for 3/8" Coaxial Cable	1.9	862	Each
MAR-GKS12X	Standard Ground Kit for 1/2" Coaxial Cable	2.0	907	Each
MAR-GKS58X	Standard Ground Kit for 5/8" Coaxial Cable	2.0	907	Each
MAR-GKS78X	Standard Ground Kit for 7/8" Coaxial Cable	2.0	907	Each
MAR-GKS114X	Standard Ground Kit for 1-1/4" Coaxial Cable	2.0	907	Each
MAR-GKS158X	Standard Ground Kit for 1-5/8" Coaxial Cable	2.0	907	Each
MAR-GKS214X	Standard Ground Kit for 2-1/4" Coaxial Cable	2.1	953	Each

Standard Ground Kits for Coax — Cell Reach® Coax

Part Number	Description	Weight		Kit Qty.
		lbs.	g	
MAR-GKS12CRX	Standard Ground Kit for 1/2" Cell Reach® Coax	2.0	907	Each
MAR-GKS78CRX	Standard Ground Kit for 7/8" Cell Reach® Coax	2.0	907	Each
MAR-GKS158CRX	Standard Ground Kit for 1-5/8" Cell Reach® Coax	2.0	907	Each



Enduring Quality, Exceptional Value

www.marathonbroadband.com

Standard Ground Kits for Coax — Air Cell® Coax

Part Number	Description	Weight		Kit Qty.
		lbs.	g	
MAR-GKS12ACX	Standard Aluminum Ground Kit for 1/2" AirCell® Coax	1.9	862	Each
MAR-GKS58ACX	Standard Aluminum Ground Kit for 5/8" AirCell® Coax	1.9	862	Each
MAR-GKS78ACX	Standard Aluminum Ground Kit for 7/8" AirCell® Coax	2.0	907	Each
MAR-GKS158ACX	Standard Aluminum Ground Kit for 1-5/8" AirCell® Coax	2.0	907	Each

Standard Ground Kits for Coax — Times LMR

Part Number	Description	Weight		Kit Qty.
		lbs.	g	
MAR-GKS195TX	Standard Ground Kit for LMR-195 Coax	1.9	862	Each
MAR-GKS200TX	Standard Ground Kit for LMR-200 Coax	1.9	862	Each
MAR-GKS240TX	Standard Ground Kit for LMR-240 Coax	1.9	862	Each
MAR-GKS300TX	Standard Ground Kit for LMR-300 Coax	2.0	907	Each
MAR-GKS400TX	Standard Ground Kit for LMR-400 Coax	1.9	862	Each
MAR-GKS500TX	Standard Ground Kit for LMR-500 Coax	2.0	907	Each
MAR-GKS600TX	Standard Ground Kit for LMR-600 Coax	2.0	907	Each
MAR-GKS900TX	Standard Ground Kit for LMR-900 Coax	2.0	907	Each
MAR-GKS1200TX	Standard Ground Kit for LMR-1200 Coax	1.5	680	Each
MAR-GKS1700TX	Standard Ground Kit for LMR-1700 Coax	2.0	907	Each



Enduring Quality, Exceptional Value

www.marathonbroadband.com

Standard Ground Kits for Coax — Elliptical Waveguide

Part Number	Description	Weight		Kit Qty.
		lbs.	g	
MAR-GKS37X	Standard Ground Kit for Type E38	2.6	1179	Each
MAR-GKS43X	Standard Ground Kit for Type EW43	2.6	1179	Each
MAR-GKS46X	Standard Ground Kit for Type ES46	2.6	1179	Each
MAR-GKS52X	Standard Ground Kit for Type EW52 & E60	2.0	907	Each
MAR-GKS63X	Standard Ground Kit for Type EW63 & E65	2.0	907	Each
MAR-GKS64X	Standard Ground Kit for Type EW64	2.0	907	Each
MAR-GKS77X	Standard Ground Kit for Type EW77 & E78	2.0	907	Each
MAR-GKS85X	Standard Ground Kit for Type EW85, EW90 & E105	1.9	862	Each
MAR-GKS127X	Standard Ground Kit for Type EW127 & E130	2.0	907	Each
MAR-GKS132X	Standard Ground Kit for Type EW132 & E150	2.1	952	Each
MAR-GKS180X	Standard Ground Kit for Type EW180 & E185	1.9	862	Each
MAR-GKS220X	Standard Ground Kit for Type EW220	2.0	907	Each

*Additional part numbers are available upon request.