



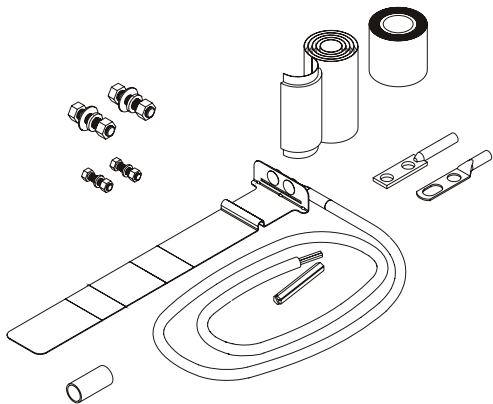
Enduring Quality, Exceptional Value

www.marathonbroadband.com

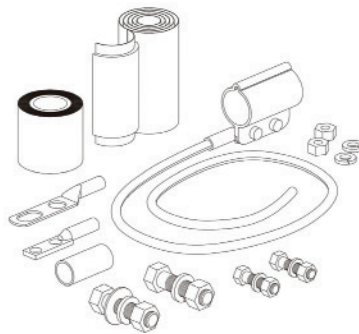
Marathon Site Hardware Accessories

Cable Grounding Kits

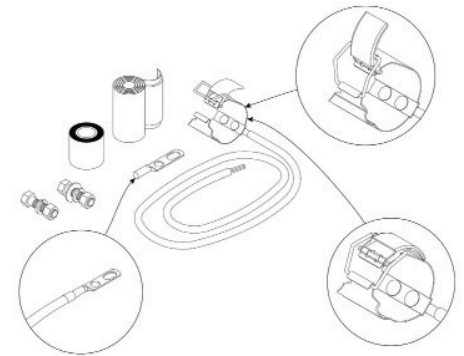
Marathon cable grounding kits are part of our telecommunications site hardware offering. They effectively protect coaxial cables of various sizes from the damaging effects of lightning currents exceeding 190 kA. They are available in various configurations to suit unique site environments.



Universal ground kit



Standard ground kit



Clip-on tinned ground kit

Part Number	Product Description
MAR-GKU2H5UTX	Universal Ground Kit, Tinned, 5' Lead
MAR-GKU2H5UX	Universal Ground Kit (5' lead) Unattached 1/4" and 3/8" Two-Hole Lug
MAR-GKS12TX	Standard Ground Kit, Tinned for 1/2" Cable
MAR-GKC12TX	Clip-On Tinned Ground Kit, 1/2". Includes 5' (1.5m) Lead with Unattached 3/8" (9.5mm) 2-Hole Lug
MAR-GKC114TX	Clip-On Ground Kit Tinned for 1-1/4" Coaxial Cable. Includes 5' (1.5m) Lead with Unattached 3/8" (9.5mm) 2-Hole Lug
MAR-GKC158TX	Clip-On Tinned Ground Kit, 1-5/8"

Please visit www.marathonbroadband.com for a comprehensive list of available site hardware accessory SKUs and spec sheets.